

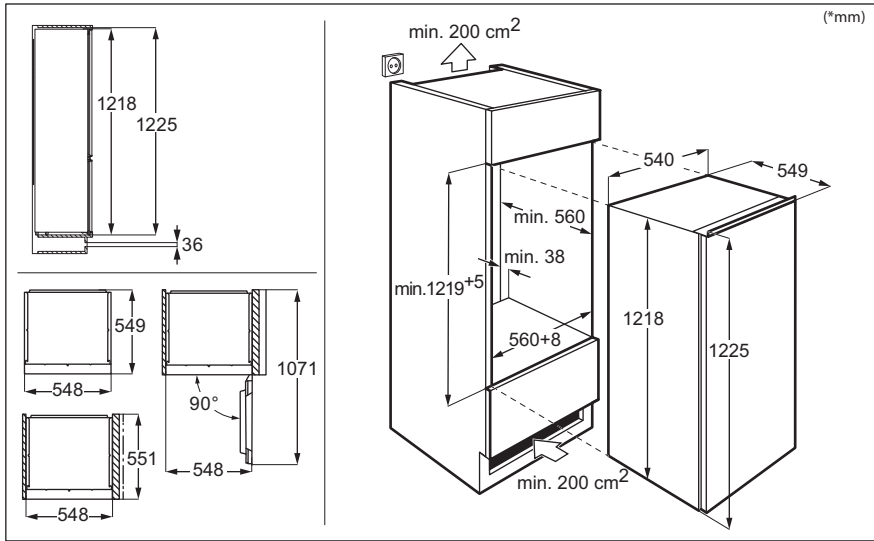


**AIK2104R**  
**AIK2104L**

<b>EN</b>	User Manual   <b>Refrigerator</b>	<b>3</b>
<b>FR</b>	Notice d'utilisation   <b>Réfrigérateur</b>	<b>15</b>
<b>DE</b>	Benutzerinformation   <b>Kühlschrank</b>	<b>29</b>
<b>IT</b>	Istruzioni per l'uso   <b>Frigorifero</b>	<b>43</b>



# INSTALLATION / INSTALLATION / MONTAGE / INSTALLAZIONE



# NOISES / BRUITS / GERÄUSCHE / RUMORI



# Welcome to AEG! Thank you for choosing our appliance.



Get usage advice, brochures, troubleshooting, service and repair information:  
[www.aeg.com/support](http://www.aeg.com/support)

Subject to change without notice.

## CONTENTS

1. SAFETY INFORMATION.....	3
2. SAFETY INSTRUCTIONS.....	5
3. CONTROL PANEL.....	7
4. DAILY USE.....	8
5. HINTS AND TIPS.....	9
6. CARE AND CLEANING.....	10
7. TROUBLESHOOTING.....	11
8. TECHNICAL DATA.....	13
9. INFORMATION FOR TEST INSTITUTES.....	14
10. GUARANTEE.....	14
11. ENVIRONMENTAL CONCERNS.....	14

## 1. ⚠ SAFETY INFORMATION

Before the installation and use of the appliance, carefully read the supplied instructions. The manufacturer is not responsible for any injuries or damage that are the result of incorrect installation or usage. Always keep the instructions in a safe and accessible location for future reference.

### 1.1 Children and vulnerable people safety

- This appliance can be used by children aged from 8 years and above and persons with reduced physical, sensory or mental capabilities or lack of experience and knowledge if they have been given supervision or instruction concerning the use of the appliance in a safe way and understand the hazards involved. Children aged from 3 to 8 years and persons with very extensive and complex disabilities are allowed to load and unload the appliance provided that they have been properly instructed. Children of less than 3 years

of age should be kept away from the appliance unless continuously supervised.

- Children should be supervised to ensure that they do not play with the appliance.
- Children shall not carry out cleaning and user maintenance of the appliance without supervision.
- Keep all packaging away from children and dispose of it appropriately.

## **1.2 General Safety**

- This appliance is for storing food and beverages only.
- This appliance is designed for single household domestic use in an indoor environment.
- This appliance may be used in, offices, hotel guest rooms, bed & breakfast guest rooms, farm guest houses and other similar accommodation where such use does not exceed (average) domestic usage levels.
- To avoid contamination of food respect the following instructions:
  - do not open the door for long periods;
  - clean regularly surfaces that can come in contact with food and accessible drainage systems;
  - store raw meat and fish in suitable containers in the refrigerator, so that it is not in contact with or drip onto other food.
- **WARNING:** Keep ventilation openings, in the appliance enclosure or in the built-in structure, clear of obstruction.
- **WARNING:** Do not use mechanical devices or other means to accelerate the defrosting process, other than those recommended by the manufacturer.
- **WARNING:** Do not damage the refrigerant circuit.
- **WARNING:** Do not use electrical appliances inside the food storage compartments of the appliance, unless they are of the type recommended by the manufacturer.
- Do not use water spray and steam to clean the appliance.

- Clean the appliance with a moist soft cloth. Only use neutral detergents. Do not use abrasive products, abrasive cleaning pads, solvents or metal objects.
- When the appliance is empty for long period, switch it off, defrost, clean, dry and leave the door open to prevent mould from developing within the appliance.
- Do not store explosive substances such as aerosol cans with a flammable propellant in this appliance.
- If the supply cord is damaged, it must be replaced by the manufacturer, its Authorised Service Centre or similarly qualified persons in order to avoid a hazard.

## 2. SAFETY INSTRUCTIONS

### 2.1 Installation

#### **WARNING!**

Only a qualified person must install this appliance.

- Remove all the packaging.
- Do not install or use a damaged appliance.
- Do not use the appliance before installing it in the built-in structure due to safety manner.
- Follow the separate instructions for the appliance installation and door reversing available on our website.
- Always take care when moving the appliance as it is heavy. Always use safety gloves and enclosed footwear.
- Make sure the air can circulate around the appliance.
- At first installation or after reversing the door wait at least 4 hours before connecting the appliance to the power supply. This is to allow the oil to flow back in the compressor.
- Before carrying out any operations on the appliance (e.g. reversing the door), remove the plug from the power socket.
- Do not install the appliance close to radiators or cookers, ovens, or hobs, unless otherwise specified in the installation instructions.
- Do not expose the appliance to the rain.

- Do not install the appliance where there is direct sunlight.
- Do not install this appliance in areas that are too humid or too cold.
- When you move the appliance, lift it by the front edge to avoid scratching the floor.
- Protect the floor from scratches when reversing the appliance door.

### 2.2 Electrical connection

#### **WARNING!**

Risk of fire and electric shock.

#### **WARNING!**

When positioning the appliance, ensure the supply cord is not trapped or damaged.

#### **WARNING!**

Do not use multi-plug adapters and extension cables.

- Make sure that the parameters on the rating plate are compatible with the electrical ratings of the mains power supply.
- The appliance must be earthed.
- Always use a correctly installed shockproof socket.
- If the domestic power supply socket is not earthed, connect the appliance to a

separate earth in compliance with current regulations, consulting a qualified electrician.

- Make sure not to cause damage to the electrical components (e.g. mains plug, mains cable, compressor). Contact the Authorised Service Centre or an electrician to change the electrical components.
- The mains cable must stay below the level of the mains plug.
- Connect the mains plug to the mains socket only at the end of the installation. Make sure that there is access to the mains plug after the installation.
- Do not pull the mains cable to disconnect the appliance. Always pull the mains plug.

## 2.3 Use

### **WARNING!**

Risk of injury, burns, electric shock or fire.



The appliance contains flammable gas, isobutane (R600a), a natural gas with a high level of environmental compatibility. Be careful not to cause damage to the refrigerant circuit containing isobutane.

- Do not change the specification of this appliance.
- Any use of the built-in product as free-standing is strictly prohibited.
- This appliance is intended to be used at ambient temperature ranging from 10°C to 43°C. The specified temperature range guarantees the correct operations of the appliance.
- Do not put electrical appliances (e.g. ice cream makers) in the appliance unless they are stated applicable by the manufacturer.
- If damage occurs to the refrigerant circuit, make sure that there are no flames and sources of ignition in the room. Ventilate the room.
- Do not let hot items to touch the plastic parts of the appliance.
- Do not put soft drinks in the freezer compartment. This will create pressure on the drink container.

- Do not store flammable gas and liquid in the appliance.
- Do not put flammable products or items that are wet with flammable products in, near or on the appliance.
- Do not touch the compressor or the condenser. They are hot.
- Do not remove or touch items from the freezer compartment if your hands are wet or damp.
- Do not freeze again food that has been thawed.
- Follow the storage instructions on the packaging of frozen food.
- Wrap the food in any food contact material before putting it in the freezer compartment.
- Do not allow food to come in contact with the inner walls of the appliance compartments.

## 2.4 Internal lighting

### **WARNING!**

Risk of electric shock.

- This product contains one or more light sources of energy efficiency class G.
- Concerning the lamp(s) inside this product and spare part lamps sold separately: These lamps are intended to withstand extreme physical conditions in household appliances, such as temperature, vibration, humidity, or are intended to signal information about the operational status of the appliance. They are not intended to be used in other applications and are not suitable for household room illumination.

## 2.5 Care and cleaning

### **WARNING!**

Risk of injury or damage to the appliance.

- Before maintenance, deactivate the appliance and disconnect the mains plug from the mains socket.
- This appliance contains hydrocarbons in the cooling unit. Only a qualified person must do the maintenance and the recharging of the unit.

- Regularly examine the drain of the appliance and if necessary, clean it. If the drain is blocked, defrosted water collects in the bottom of the appliance.

## 2.6 Service

- To repair the appliance contact the Authorised Service Centre. Use only original spare parts.
- Please note that self-repair or non-professional repair can have safety consequences and might void the guarantee.
- The following spare parts are available for at least 7 years after the model has been discontinued: thermostats, temperature sensors, printed circuit boards, light sources, door handles, door hinges, trays and baskets. Door gaskets are available for at least 10 years after the model has been discontinued. The duration may be longer in your country. For further information, please visit our website.
- Please note that some of these spare parts are only available to professional

repairers, and that not all spare parts are relevant for all models.

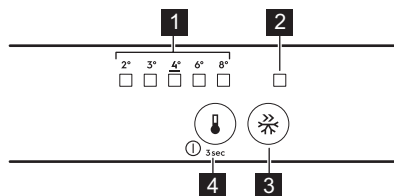
## 2.7 Disposal

### **WARNING!**

Risk of injury or suffocation.

- Disconnect the appliance from the mains supply.
- Cut off the mains cable and discard it.
- Remove the door to prevent children and pets to be closed inside of the appliance.
- The refrigerant circuit and the insulation materials of this appliance are ozone-friendly.
- The insulation foam contains flammable gas. Contact your municipal authority for information on how to discard the appliance correctly.
- Do not cause damage to the part of the cooling unit that is near the heat exchanger.

## 3. CONTROL PANEL



- 1** Temperature indicator LED
- 2** Frostmatic indicator
- 3** Frostmatic button
- 4** Temperature regulator ON/OFF button

### 3.1 Switching on/off

#### Switching on

- Insert the plug into the wall socket.
- Press the temperature regulator button if all LED indicators are off.

#### Switching off

Keep pressing the temperature regulator button for 3 sec. All indicators light off.

### 3.2 Temperature regulation

Press the temperature regulator. Current LED temperature indicator blinks. When you press the temperature regulator, the setting moves by one position. Repeat the procedure until the appliance reaches the required temperature.

The temperature range may vary between 2°C to 8°C (recommended 4°C).



The set temperature will be reached within 24 h. After a power failure the set temperature remains stored.

### 3.3 Frostmatic function

The Frostmatic function is used to pre-freeze and fast freeze in sequence in the freezer compartment. This function accelerates the

freezing of fresh food and protects foodstuffs already stored from warming.



To freeze fresh food activate the Frostmatic function at least 24 h before placing the food to complete pre-freezing.

To activate Frostmatic function press the Frostmatic button. The Frostmatic indicator switches on.



This function stops automatically after 52 h.

To deactivate the function, press the Frostmatic button again. The Frostmatic indicator switches off.

### 3.4 Door open alarm

If the fridge door is left open for approximately 5 minutes, the sound is on.

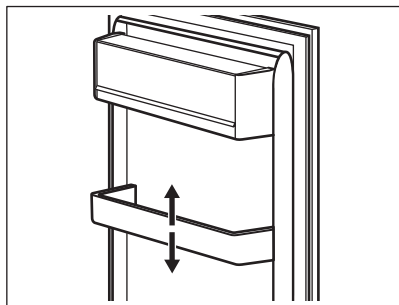
During the alarm the sound can be muted by pressing any button. The sound switches off automatically after around one hour to avoid disturbing.

The alarm deactivates after closing the door.

## 4. DAILY USE

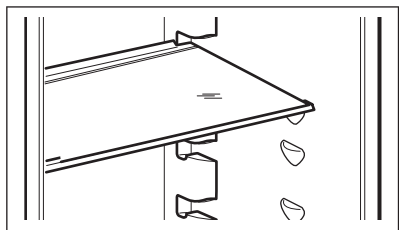
### 4.1 Positioning the door shelves

For easier storage of food, the door shelves can be placed at different heights. Pull the shelf up to reposition.



### 4.2 Movable shelves

The walls of the fridge are equipped with runners. You can change the position of the shelves.



Do not move the glass shelf above the vegetable drawer to ensure correct air circulation.

### 4.3 Vegetable drawer

There is a special drawer in the bottom part of the appliance suitable for storage of fruits and vegetables.

### 4.4 Freezing fresh food

Use the freezer compartment for freezing fresh food and storing frozen and deep-frozen food for a long time.

Activate the Frostmatic function at least 24 h before placing the food to be frozen in the freezer compartment.

Store the fresh food evenly distributed in all compartments or drawers.

Do not exceed the max. amount of food that can be frozen without adding other fresh food within 24 h (refer to the rating plate).

When the freezing process is complete, the appliance automatically returns to the previous temperature setting (see "Frostmatic function").



The temperature inside the fridge can change.

For more information refer to "Hints for freezing".

### 4.5 Storage of frozen food

When activating the appliance for the first time or after a period out of use, activate the

Frostmatic function at least 3 h before putting the products in the freezing compartment.

#### CAUTION!

If the power has been off for longer than the value shown on rating plate under "rising time", the defrosted food must be consumed immediately.

## 5. HINTS AND TIPS

### 5.1 Hints for energy saving

- Fridge: The configuration with the drawers in the bottom part of the appliance and shelves evenly distributed ensures the most efficient use of energy. Position of the door bins does not affect energy consumption.
- Do not open the door frequently or leave it open longer than necessary.
- Freezer: The colder the temperature setting, the higher the energy consumption.
- Fridge: Do not set too high temperature unless it is required by the characteristics of the food.
- If the ambient temperature is high and the temperature control is set to low temperature and the appliance is fully loaded, the compressor may run continuously, causing frost or ice formation on the evaporator. In this case, set the temperature control toward higher temperature to allow automatic defrosting.
- Do not cover the ventilation grilles or holes.

### 5.2 Hints for freezing

- Do not freeze bottles or cans with liquids, in particular drinks containing carbon dioxide. They may explode during freezing.
- Do not put hot food in the freezer compartment.
- Do not place fresh unfrozen food directly next to already frozen food.

- Do not eat ice cubes, water ices or ice lollies immediately after taking them out of the freezer to avoid frostbites.
- Do not re-freeze defrosted food.

### 5.3 Hints for storage of frozen food


- Freezer compartment is marked with
- Good temperature setting that ensures preservation of frozen food products is a temperature less than or equal to  $-18^{\circ}\text{C}$ .
- Higher temperature setting inside the appliance may lead to shorter shelf life.
- The whole freezer compartment is suitable for storage of frozen food products.
- Leave enough space around the food to allow air to circulate freely.

### 5.4 Shelf life for freezer compartment

Type of food	Shelf life (months)
Bread	3
Fruits (except citrus)	6 - 12
Vegetables	8 - 10
Leftovers without meat	1 - 2
<b>Dairy food:</b>	
Butter	6 - 9
Soft cheese (e.g. mozzarella)	3 - 4
Hard cheese (e.g. parmesan, cheddar)	6
<b>Seafood:</b>	

Type of food	Shelf life (months)
Fatty fish (e.g. salmon, mackerel)	2 - 3
Lean fish (e.g. cod, flounder)	4 - 6
Shrimps	12
Shucked clams and mussels	3 - 4
Cooked fish	1 - 2
<b>Meat:</b>	
Poultry	9 - 12
Beef	6 - 12
Pork	4 - 6
Lamb	6 - 9
Sausage	1 - 2
Ham	1 - 2
Leftovers with meat	2 - 3

## 5.5 Hints for food refrigeration

- Fresh food compartment is marked with .

- Good temperature setting that ensures preservation of fresh food is a temperature less than or equal to +4°C.
- Always use closed containers for liquids and for food, to avoid flavours or odours in the compartment.
- To avoid the cross-contamination between cooked and raw food, cover the cooked food and separate it from the raw one.
- Wrap and place meat on the glass shelf above the vegetable drawer.
- Defrost the food inside the fridge.
- Do not insert hot food inside the appliance.
- Clean fruit and vegetables and place in a dedicated drawer (vegetable drawer).
- Do not keep exotic fruits in the fridge.
- Do not keep vegetables like tomatoes, potatoes, onions, and garlic in the fridge.
- Close the bottles before you put them into the fridge.

## 6. CARE AND CLEANING

### WARNING!

Refer to Safety chapters.

### 6.1 Cleaning the interior

Before first use clean the interior and all accessories with lukewarm water and neutral soap, then dry.

### CAUTION!

The accessories and parts of the appliance are not suitable for washing in a dishwasher.

### 6.2 Periodic cleaning

Clean the equipment regularly:

- Clean the inside and accessories with lukewarm water and neutral soap. Rinse and wipe them dry.
- Wipe down the door seals regularly.

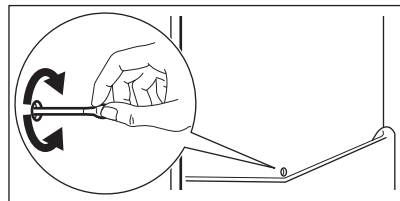
### 6.3 Defrosting of the fridge

Frost is automatically eliminated from the evaporator of the fridge compartment during normal use. The defrost water drains out

through a trough into a special container where it evaporates.

Regularly clean the defrost water drain hole in the middle of the fridge compartment channel.

Use the tube cleaner provided with the appliance.



### 6.4 Defrosting of the freezer

#### CAUTION!

Never use sharp metal tools to scrape off frost from the evaporator. Use only accessories recommended by the manufacturer to speed up thawing.



Set a lower temperature about 12 h prior to defrosting.

It is normal for a thin layer of frost to form on the freezer shelves and around the top compartment. Defrost the freezer when the frost layer reaches a thickness of about 3-5 mm.

1. Switch off and unplug the appliance.
2. Remove stored food.
3. Leave the door open and protect the floor from the water.
4. Put a pot of warm water in the freezer compartment in order to speed up the defrosting.

5. Dry the interior after defrosting.
6. Switch on the appliance. Close the door.
7. Set the lowest temperature for at least 3 h before you put the food back into the freezer compartment.

## 6.5 Period of non-operation

When the appliance is not in use for long period, take the following precautions:

1. Disconnect the appliance from electricity supply.
2. Remove all food.
3. Defrost the appliance.
4. Clean the appliance and all accessories.
5. Leave the doors open to prevent unpleasant smells.

## 7. TROUBLESHOOTING



### WARNING!

Refer to Safety chapters.

### 7.1 What to do if...

Problem	Possible cause	Solution
The appliance does not operate.	The appliance is switched off.	Switch on the appliance.
	The mains plug is not connected to the mains socket correctly.	Connect the mains plug to the mains socket correctly.
	There is no voltage in the mains socket.	Connect a different electrical appliance to the mains socket. Contact a qualified electrician.
The appliance is noisy.	The appliance is not supported properly.	Check if the appliance stands stable.
Acoustic or visual alarm is on.	The door is left open.	Close the door.
The compressor operates continually.	Temperature is set incorrectly.	Refer to "Control panel" chapter.
	Too much food is put in at the same time.	Wait a few hours and then check the temperature again.
	The room temperature is too high.	Refer to "Installation" chapter.
	Food placed in the appliance is too warm.	Allow food to cool to room temperature before storing.
	The door is not closed correctly.	Refer to "Closing the door" section.
	The Frostmatic function is switched on.	Refer to "Frostmatic function" section.

<b>Problem</b>	<b>Possible cause</b>	<b>Solution</b>
The compressor does not start immediately after pressing the "Frostmatic", or after changing the temperature.	The compressor starts after a period of time.	This is normal, no error has occurred.
Door is misaligned or interferes with ventilation grill.	The appliance is not levelled.	Refer to installation instructions.
Door does not open easily.	You attempted to re-open the door immediately after closing.	Wait a few seconds between closing and re-opening of the door.
The lamp does not work.	The lamp is in stand-by mode.	Close and open the door.
	The lamp is defective.	Contact the Authorized Service Centre.
There is too much frost and ice.	The door is not closed correctly.	Refer to "Closing the door" section.
	The gasket is deformed or dirty.	Refer to "Closing the door" section.
	Food is not wrapped properly.	Wrap the food properly.
	Temperature is set incorrectly.	Refer to "Control panel" chapter.
	Appliance is fully loaded and is set to the lowest temperature.	Set a higher temperature. Refer to "Control panel" chapter.
Water flows on the rear plate of the refrigerator.	Temperature set in the appliance is too low and the ambient temperature is too high.	Set a higher temperature. Refer to "Control panel" chapter.
	During the automatic defrosting process, frost melts on the rear plate.	This is correct.
There is too much condensed water inside the fridge.	Door was opened too frequently.	Open the door only when necessary.
	Door was not closed completely.	Make sure the door is closed completely.
	Stored food was not wrapped.	Wrap food in suitable packaging before storing it in the appliance.
	This is normal that during summer and autumn more condensation can form due to the increased air and food humidity. Fridge does not produce any moisture. After this period, the humidity in the fridge decreases itself.	In summer and autumn, set the warmer temperature in the refrigerator (approx. 6-7°C).
There are water drops on the glass shelves.	There is too much moisture inside the fridge.	Wipe the glass shelves with a cloth to remove water drops.
Water flows inside the fridge.	Food prevents the water from flowing into the water collector.	Make sure that food does not touch the rear plate.
	The water outlet is clogged.	Clean the water outlet.
Water flows on the floor.	The melting water outlet is not connected to the evaporative tray above the compressor.	Attach the melting water outlet to the evaporative tray.

Problem	Possible cause	Solution
Temperature cannot be set.	The Frostmatic function is switched on.	Switch off Frostmatic function manually, or wait until it deactivates automatically. Refer to "Frostmatic function" section.
The temperature in the appliance is too low/too high.	The temperature is not set correctly.	Set a higher/lower temperature.
	The door is not closed correctly.	Refer to the "Closing the door" section.
	The food is too hot.	Let the food cool down before storage.
	Too much food is stored at the same time.	Store less food at the same time.
	The thickness of the frost is greater than 4-5 mm.	Defrost the appliance.
	The door has been opened often.	Open the door only if necessary.
	The Frostmatic function is switched on.	Refer to the "Frostmatic function" section.
Temperature setting LEDs flash at the same time.	There is no cold air circulation in the appliance.	Ensure cold air circulation in the appliance. Refer to the "Hints and tips" chapter.
	An error has occurred in measuring the temperature.	Contact the Authorised Service Centre. The cooling system will continue to keep food cold, but temperature adjustment will not be possible.



If the problem persists, contact the Authorised Service Centre.

## 7.2 Replacing the lamp

For replacing the lamp, contact the Authorized Service Centre.

## 7.3 Closing the door

1. Clean the door gaskets.
2. To adjust the door, refer to installation instructions.
3. To replace the defective door gaskets, contact the Authorized Service Centre.

## 8. TECHNICAL DATA

The technical information is situated in the rating plate on the internal side of the appliance and on the energy label.

Voltage	230-240 V
Frequency	50 Hz

## 9. INFORMATION FOR TEST INSTITUTES

Installation and preparation of the appliance for any EcoDesign verification shall be compliant with EN 62552 (EU). Ventilation requirements, recess dimensions and minimum rear clearances shall be as stated

in this User Manual in "Installation". Please contact the manufacturer for any other further information, including loading plans.

## 10. GUARANTEE

### Customer Service Centres

Point of Service		
Industriestrasse 10 5506 Mägenwil	Le Trési 6 1028 Prévèrenge	Via Violino 11 6928 Manno
Morgenstrasse 131 3018 Bern		
Langgasse 10 9008 St. Gallen		
Am Mattenhof 4a/b 6010 Kriens		
Schlossstrasse 1 4133 Pratteln		
Comercialstrasse 19 7000 Chur		





**Spare parts service** Industriestrasse 10, 5506 Mägenwil, Tel. 0848 848 111

**Specialist advice/Sale** Badenerstrasse 587, 8048 Zürich, Tel. 044 405 81 11

**Warranty** For each product we provide a two-year guarantee from the date of purchase or delivery to the consumer (with a guarantee certificate, invoice or sales receipt serving as

proof). The guarantee covers the costs of materials, labour and travel. The guarantee will lapse if the operating instructions and conditions of use are not adhered to, if the product is incorrectly installed, or in the event of damage caused by external influences, force majeure, intervention by third parties or the use of non-genuine components.

## 11. ENVIRONMENTAL CONCERNS

Recycle materials with the symbol . Put the packaging in relevant containers to recycle it. Help protect the environment and human health by recycling waste of electrical and electronic appliances. Do not dispose of appliances marked with the symbol  with the household waste. Return the product to your local recycling facility or contact your municipal office.



### For Switzerland:

Where should you take your old equipment?

Anywhere that sells new equipment or hand it in to official SENS collection points or official SENS recycling firms.

The list of official SENS collection points can be found at [www.erecycling.ch](http://www.erecycling.ch)

**Bienvenue chez AEG ! Nous vous remercions d'avoir choisi l'un de nos appareils.**



Obtenir des conseils d'utilisation, des brochures, un dépanneur, des informations sur le service et les réparations :  
[www.aeg.com/support](http://www.aeg.com/support)

Sous réserve de modifications.

## TABLE DES MATIÈRES

1. INFORMATIONS DE SÉCURITÉ.....	15
2. CONSIGNES DE SÉCURITÉ.....	17
3. BANDEAU DE COMMANDE.....	20
4. UTILISATION QUOTIDIENNE.....	21
5. CONSEILS.....	22
6. ENTRETIEN ET NETTOYAGE.....	23
7. DÉPANNAGE.....	24
8. DONNÉES TECHNIQUES.....	27
9. INFORMATIONS POUR LES LABORATOIRES D'ESSAIS.....	27
10. GARANTIE.....	27
11. EN MATIÈRE DE PROTECTION DE L'ENVIRONNEMENT.....	28

## 1. ⚠ INFORMATIONS DE SÉCURITÉ

Avant d'installer et d'utiliser cet appareil, lisez soigneusement les instructions fournies. Le fabricant ne pourra être tenu pour responsable des blessures et dégâts résultant d'une mauvaise installation ou utilisation. Conservez toujours les instructions dans un lieu sûr et accessible pour vous y référer ultérieurement.

### 1.1 Sécurité des enfants et des personnes vulnérables

- Cet appareil peut être utilisé par des enfants âgés d'au moins 8 ans et par des personnes ayant des capacités physiques, sensorielles ou mentales réduites ou dénuées d'expérience ou de connaissance, s'ils sont correctement surveillés ou si des instructions relatives à l'utilisation de l'appareil en toute sécurité leur ont été données et s'ils comprennent les risques encourus. Les enfants de 3 à

8 ans et les personnes atteintes de handicaps graves ou très lourds peuvent charger et décharger l'appareil à condition qu'ils aient reçu des instructions appropriées. Les enfants de moins de 3 ans doivent être tenus à l'écart de l'appareil, à moins d'être surveillés en permanence.

- Veillez à ce que les enfants ne jouent pas avec l'appareil.
- Le nettoyage et l'entretien par l'utilisateur ne doivent pas être effectués par des enfants sans surveillance.
- Ne laissez pas les emballages à la portée des enfants et jetez-les convenablement.

## **1.2 Sécurité générale**

- Cet appareil sert uniquement à stocker des aliments et des boissons.
- Cet appareil est conçu pour un usage domestique ménager, dans un environnement intérieur.
- Cet appareil peut être utilisé dans les bureaux, les chambres d'hôtel, les chambres d'hôtes, les maisons d'hôtes de ferme et d'autres hébergements similaires lorsque cette utilisation ne dépasse pas le niveau (moyen) de l'utilisation domestique.
- Pour éviter la contamination des aliments, respectez les instructions suivantes :
  - n'ouvrez pas la porte pendant de longues durées ;
  - nettoyez régulièrement les surfaces pouvant être en contact avec les aliments et les systèmes d'évacuation accessibles ;
  - conservez la viande et le poisson crus dans des récipients appropriés dans le réfrigérateur, afin qu'ils ne soient pas en contact ou ne coulent pas sur d'autres aliments.
- **AVERTISSEMENT** : Veillez à ce que les orifices de ventilation situés dans l'enceinte de l'appareil ou la structure intégrée ne soient pas obstrués.

- **AVERTISSEMENT** : N'utilisez aucun dispositif mécanique ou autre pour accélérer le processus de dégivrage, outre ceux recommandés par le fabricant.
- **AVERTISSEMENT** : Veillez à ne pas endommager le circuit réfrigérant.
- **AVERTISSEMENT** : N'utilisez pas d'appareils électriques à l'intérieur des compartiments de conservation des aliments de l'appareil, sauf s'ils sont du type recommandé par le fabricant.
- Ne pulvérisez pas d'eau ni de vapeur pour nettoyer l'appareil.
- Nettoyez l'appareil avec un chiffon doux et humide. Utilisez uniquement des produits de lavage neutres. N'utilisez pas de produits abrasifs, de tampons à récurer, de solvants ou d'objets métalliques.
- Si l'appareil est vide pendant une longue durée, éteignez-le, dégivrez-le, nettoyez-le, séchez-le et laissez la porte ouverte pour empêcher le développement de moisissure dans l'appareil.
- Ne conservez aucune substance explosive dans cet appareil, comme des aérosols contenant un produit inflammable.
- Si le câble d'alimentation est endommagé, il doit être remplacé par le fabricant, son service après-vente ou par un professionnel qualifié afin d'éviter un danger.

## 2. CONSIGNES DE SÉCURITÉ

### 2.1 Installation

#### **AVERTISSEMENT!**

L'appareil doit être installé uniquement par un professionnel qualifié.

- Retirez l'intégralité de l'emballage.
- N'installez pas et ne branchez pas un appareil endommagé.
- Pour des raisons de sécurité, n'utilisez pas l'appareil avant de l'avoir installé dans la structure encastrée.
- Suivez les instructions séparées pour l'installation de l'appareil et l'inversion de la porte disponibles sur notre site Web.
- Soyez toujours vigilants lorsque vous déplacez l'appareil car il est lourd. Utilisez toujours des gants de sécurité et des chaussures fermées.
- Assurez-vous que l'air puisse circuler autour de l'appareil.
- Lors de la première installation ou après avoir inversé la porte, attendez au moins 4 heures avant de brancher l'appareil sur

le secteur. Cela permet à l'huile de refouler dans le compresseur.

- Avant toute opération sur l'appareil (par ex. inversion de la porte), débranchez la fiche de la prise de courant.
- N'installez pas l'appareil à proximité d'un radiateur ou d'une cuisinière, d'un four ou d'une table de cuisson, sauf indication contraire dans les instructions d'installation.
- N'exposez pas l'appareil à la pluie.
- N'installez pas l'appareil dans un endroit exposé à la lumière directe du soleil.
- N'installez pas l'appareil dans une pièce trop humide ou trop froide.
- Lorsque vous déplacez l'appareil, veillez à le soulever par l'avant pour éviter d'érafler le sol.
- Protégez le sol des rayures lorsque vous inversez la porte de l'appareil.

## 2.2 Branchement électrique

### **AVERTISSEMENT!**

Risque d'incendie ou d'électrocution.

### **AVERTISSEMENT!**

Lorsque vous installez l'appareil, assurez-vous que le câble d'alimentation n'est pas coincé ou endommagé.

### **AVERTISSEMENT!**

N'utilisez pas d'adaptateurs multiprises et de rallonges.

- Assurez-vous que les paramètres figurant sur la plaque signalétique correspondent aux données électriques nominale de l'alimentation secteur.
- L'appareil doit être relié à la terre.
- Utilisez toujours une prise de courant de sécurité correctement installée.
- Si la prise d'alimentation électrique domestique n'est pas reliée à la terre, branchez l'appareil à une prise de terre séparée conformément aux réglementations en vigueur, en vous adressant à un électricien qualifié.
- Veillez à ne pas endommager les composants électriques (comme par exemple, la fiche secteur, le câble d'alimentation ou le compresseur).

Contactez le service après-vente agréé ou un électricien pour changer les composants électriques.

- Le câble d'alimentation doit rester au-dessous du niveau de la prise secteur.
- Ne branchez la fiche secteur dans la prise secteur qu'à la fin de l'installation. Assurez-vous que la prise secteur est accessible après l'installation.
- Ne tirez pas sur le câble secteur pour débrancher l'appareil. Tirez toujours sur la fiche de la prise secteur.

## 2.3 Utilisation

### **AVERTISSEMENT!**

Risque de blessures, de brûlures, d'électrocution ou d'incendie.



L'appareil contient un gaz inflammable, l'isobutane (R600a), un gaz naturel ayant un niveau élevé de compatibilité environnementale. Veillez à ne pas endommager le circuit frigorifique contenant de l'isobutane.

- Ne modifiez pas les spécifications de cet appareil.
- Toute utilisation du produit intégré en tant que produit autonome est strictement interdite.
- Cet appareil est destiné à être utilisé à une température ambiante comprise entre 10°C et 43°C. Le fonctionnement correct de l'appareil ne peut être garanti que dans la plage de température spécifiée.
- Ne placez aucun appareil électrique (comme par exemple, une sorbetière) dans l'appareil si cela n'est pas autorisé par le fabricant.
- Si le circuit frigorifique est endommagé, assurez-vous de l'absence de flammes et de sources d'ignition dans la pièce. Aérez la pièce.
- Évitez tout contact d'éléments chauds avec les parties en plastique de l'appareil.
- Ne placez jamais de boissons gazeuses dans le congélateur. Cela engendrerait une pression sur le récipient de la boisson.

- Ne stockez jamais de gaz ou de liquide inflammable dans l'appareil.
- Ne placez pas de produits inflammables ou d'éléments imbibés de produits inflammables à l'intérieur, à proximité ou au-dessus de l'appareil.
- Ne touchez ni le compresseur, ni le condenseur. Ils sont chauds.
- Ne retirez pas et ne touchez pas les éléments du compartiment congélateur avec les mains mouillées.
- Ne recongelez jamais un aliment qui a été décongelé.
- Respectez les instructions de stockage figurant sur l'emballage des aliments surgelés.
- Emballez les aliments dans un emballage adapté au contact avec des aliments avant de les placer dans le compartiment congélateur.
- Ne laissez pas les aliments entrer en contact avec les parois intérieures des compartiments de l'appareil.

## 2.4 Éclairage interne

### **AVERTISSEMENT!**

Risque d'électrocution.

- Ce produit contient une ou plusieurs sources lumineuses de classe d'efficacité énergétique G.
- Concernant la/les lampe(s) à l'intérieur de ce produit et les lampes de rechange vendues séparément : Ces lampes sont conçues pour résister à des conditions physiques extrêmes dans les appareils électroménagers, telles que la température, les vibrations, l'humidité, ou sont conçues pour signaler des informations sur le statut opérationnel de l'appareil. Elles ne sont pas destinées à être utilisées dans d'autres applications et ne conviennent pas à l'éclairage des pièces d'un logement.

## 2.5 Entretien et nettoyage

### **AVERTISSEMENT!**

Risque de blessure ou de dommages matériels.

- Avant toute opération d'entretien, désactivez l'appareil et débranchez la fiche secteur.
- Cet appareil contient des hydrocarbures dans son circuit de réfrigération. L'entretien et la recharge de l'unité doivent être effectués par un professionnel qualifié.
- Examinez régulièrement la valve de drainage de l'appareil et, si nécessaire, nettoyez-la. Si la valve est bouchée, l'eau du dégivrage s'écoulera en bas de l'appareil.

## 2.6 Service

- Pour réparer l'appareil, contactez le service après-vente agréé. Utilisez uniquement des pièces de rechange d'origine.
- Veuillez noter qu'une autoréparation ou une réparation non professionnelle peuvent avoir des conséquences sur la sécurité et annuler la garantie.
- Les pièces détachées suivantes sont disponibles pendant au moins 7 ans après l'arrêt du modèle : thermostats, capteurs de température, cartes circuits imprimées, sources lumineuses, poignées de portes, charnières de portes, plaques et balconnets. Les joints de porte sont disponibles pendant au moins 10 ans après l'arrêt du modèle. Cette durée peut être plus longue dans certains pays. Pour plus d'informations, rendez-vous sur notre site internet.
- Veuillez noter que certaines de ces pièces détachées ne sont disponibles qu'auprès de réparateurs professionnels et que toutes les pièces détachées ne sont pas adaptées à tous les modèles.

## 2.7 Mise au rebut

### **AVERTISSEMENT!**

Risque de blessure ou d'asphyxie.

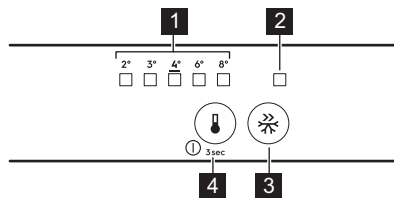
- Débranchez l'appareil de l'alimentation électrique.
- Coupez le câble d'alimentation et mettez-le au rebut.
- Retirez la porte pour empêcher les enfants et les animaux de s'enfermer dans l'appareil.

- Le circuit frigorifique et les matériaux d'isolation de cet appareil préservent la couche d'ozone.
- La mousse isolante contient un gaz inflammable. Contactez votre service municipal pour obtenir des informations

sur la marche à suivre pour mettre l'appareil au rebut.

- N'endommagez pas la partie du circuit de réfrigération située à proximité du condenseur thermique.

## 3. BANDEAU DE COMMANDE



- 1** Indicateur de température LED
- 2** Voyant Frostmatic
- 3** Touche Frostmatic
- 4** Thermostat  
Touche MARCHÉ/ARRÊT

### 3.1 Mise en marche/arrêt

#### Activation

1. Insérez la fiche dans la prise murale.
2. Appuyez sur le bouton de thermostat si tous les voyants LED sont éteints.

#### Désactivation

Continuez d'appuyer sur le bouton du thermostat pendant 3 sec. Tous les voyants s'éteignent.

### 3.2 Réglage de la température

Appuyez sur le thermostat. Le voyant de température actuelle LED clignote. À chaque fois que vous appuyez sur le thermostat, le réglage varie d'une position. Répétez la procédure jusqu'à ce que la température atteigne la température requise.

La plage de température varie entre 2°C à 8°C (recommandé 4°C).



La température réglée sera atteinte dans 24 h. Après une coupure de courant, la température réglée reste enregistrée.

### 3.3 Frostmatic fonction

La fonction Frostmatic permet d'effectuer successivement la précongélation et la congélation rapide dans le compartiment congélateur. Cette fonction accélère la congélation des aliments frais et protège les denrées déjà entreposées du réchauffement.



Pour congeler des aliments frais, activez la fonction Frostmatic au moins 24 h avant de placer les aliments afin d'achever la précongélation.

Pour activer la fonction Frostmatic, appuyez sur le bouton Frostmatic. Le voyant Frostmatic s'allume.



Cette fonction s'arrête automatiquement au bout de 52 h.

Pour désactiver la fonction, appuyez à nouveau sur le bouton Frostmatic. Le voyant Frostmatic s'éteint.

### 3.4 Alarme porte ouverte

Si la porte du réfrigérateur est laissée ouverte pendant environ 5 minutes, l'alarme s'active.

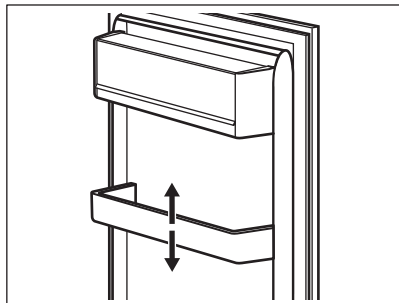
Lorsque l'alarme se déclenche, le son peut être désactivé en appuyant sur n'importe quelle touche. Le son se coupe automatiquement après environ une heure pour ne pas déranger.

L'alarme se désactive dès que vous refermez la porte.

## 4. UTILISATION QUOTIDIENNE

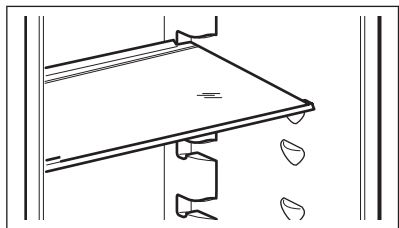
### 4.1 Positionnement des étagères de porte

Pour faciliter le rangement des aliments, les étagères de porte peuvent être placées à différentes hauteurs. Tirez l'étagère vers le haut pour la repositionner.



### 4.2 Clayettes amovibles

Les parois du réfrigérateur sont équipées de glissières. Vous pouvez modifier la position des étagères.



Ne modifiez pas l'emplacement de la clayette en verre située au-dessus du bac à légumes, afin de garantir une circulation d'air optimale.

### 4.3 Bac à légumes

Un bac spécial est présent dans la partie inférieure de l'appareil, adapté à la conservation des fruits et des légumes.

### 4.4 Congeler des aliments frais

Utilisez le compartiment de congélation pour congeler des denrées fraîches et conserver à long terme des plats surgelés ou congelés.

Activez la fonction Frostmatic au moins 24 heures avant de placer les aliments à conserver dans le compartiment de congélation.

Conservez les aliments frais répartis uniformément dans tous les compartiments ou tous les bacs.

Ne dépassez pas la quantité maximale d'aliments pouvant être congelés sans ajouter d'autres aliments frais à l'intérieur 24 h (reportez-vous à la plaque signalétique).

Une fois le processus de congélation terminé, l'appareil revient automatiquement au réglage de température précédent (voir « fonction Frostmatic »).



La température à l'intérieur du réfrigérateur peut changer.

Pour plus d'informations, reportez-vous au chapitre « Conseils pour la congélation ».

### 4.5 Conservation des plats surgelés

Lors de la mise en service initiale de l'appareil ou après un arrêt prolongé, laissez-le en Frostmatic marche au moins 3h avant d'introduire les produits dans le congélateur.

#### ATTENTION!

Si l'alimentation a été coupée pendant plus longtemps que la valeur indiquée sur la plaque signalétique sous « Temps de montée », les aliments décongelés doivent être consommés immédiatement.

## 5. CONSEILS


### 5.1 Conseils pour économiser l'énergie

- Réfrigérateur : L'utilisation la plus efficace de l'énergie est assurée dans la configuration avec les bacs dans la partie inférieure de l'appareil et les clayettes réparties uniformément. La position des compartiments de porte n'affecte pas la consommation d'énergie.
- Évitez d'ouvrir fréquemment la porte et ne la laissez ouverte que le temps nécessaire.
- Congélateur : Plus le réglage de la température est bas, plus la consommation électrique est élevée.
- Réfrigérateur : Ne réglez pas une température trop élevée, sauf si cela est requis par les caractéristiques des aliments.
- Si la température ambiante est élevée, que le thermostat est réglé sur une température basse et que l'appareil est plein, le compresseur fonctionne en régime continu, ce qui provoque une formation de givre ou de glace sur l'évaporateur. Dans ce cas, réglez le thermostat sur une température plus élevée pour permettre le dégivrage automatique.
- Ne couvrez pas les grilles ou les orifices de ventilation.

### 5.2 Conseils pour la congélation

- Ne congelez pas des bouteilles ou des canettes avec des liquides, en particulier des boissons contenant du dioxyde de carbone. Elles pourraient exploser pendant la congélation.
- Ne placez pas d'aliments chauds dans le compartiment congélateur.
- Ne placez pas d'aliments frais non congelés directement à côté d'aliments déjà congelés.
- Ne mangez pas les glaçons, les glaces à l'eau ou les bâtonnets glacés dès leur sortie du congélateur. Vous risquez des gelures.
- Ne recongelez pas des aliments décongelés.

### 5.3 Conseils pour le stockage des plats surgelés


- Le compartiment congélateur est marqué .
- Un bon réglage de température qui garantit la conservation des produits alimentaires congelés est une température inférieure ou égale à -18 °C.
- Un réglage de température plus élevé à l'intérieur de l'appareil peut entraîner une durée de conservation plus courte.
- L'ensemble du compartiment du congélateur est adapté à la conservation de produits alimentaires congelés.
- Laissez suffisamment d'espace autour des aliments pour permettre à l'air de circuler librement.

### 5.4 Durée de conservation pour le compartiment du congélateur

Type d'aliment	Durée de conservation (mois)
Pain	3
Fruits (sauf agrumes)	6 - 12
Légumes	8 - 10
Restes (sans viande)	1 - 2
<b>Produits laitiers :</b>	
Beurre	6 - 9
Fromage à pâte molle (p. ex., mozzarella)	3 - 4
Fromage à pâte dure (p. ex., parmesan, cheddar)	6
<b>Fruits de mer :</b>	
Poisson gras (p. ex., saumon, maquereau)	2 - 3 4 - 6
Poisson maigre (p. ex., cabillaud, limande)	12
Crevettes	3 - 4
Palourdes et moules décortiquées	1 - 2
Poisson cuit	
<b>Viande :</b>	

Type d'aliment	Durée de conservation (mois)
Volaille	9 - 12
Bœuf	6 - 12
Porc	4 - 6
Agneau	6 - 9
Saucisse	1 - 2
Jambon	1 - 2
Restes (avec viande)	2 - 3

## 5.5 Conseils pour la réfrigération des aliments

- Le compartiment des aliments frais est indiqué par .
- Un bon réglage de température qui garantit la conservation des aliments frais est une température inférieure ou égale à +4 °C.
- Utilisez toujours des récipients fermés pour les liquides et les aliments afin

d'éviter les saveurs ou les odeurs dans le compartiment.

- Pour éviter la contamination croisée entre les aliments cuits et les aliments crus, couvrez les aliments cuits et séparez-les des aliments crus.
- Enveloppez et placez la viande sur la clayette en verre au-dessus du bac à légumes.
- Décongelez les aliments à l'intérieur du réfrigérateur.
- N'insérez pas d'aliments chauds dans l'appareil.
- Nettoyez les fruits et légumes et placez-les dans un bac dédié (bac à légumes).
- Ne conservez pas les fruits exotiques au réfrigérateur.
- Ne conservez pas au réfrigérateur les légumes tels que les tomates, les pommes de terre, les oignons et l'ail.
- Fermez les bouteilles avant de les mettre au réfrigérateur.

## 6. ENTRETIEN ET NETTOYAGE

### AVERTISSEMENT!

Reportez-vous aux chapitres relatifs à la Sécurité.

### 6.1 Nettoyage de l'intérieur

Avant la première utilisation, nettoyez l'intérieur et tous les accessoires à l'eau tiède et au savon neutre, puis séchez.

### ATTENTION!

Les accessoires et parties de l'appareil ne sont pas adaptés au lavage au lave-vaisselle.

### 6.2 Nettoyage périodique

Nettoyez régulièrement l'équipement :

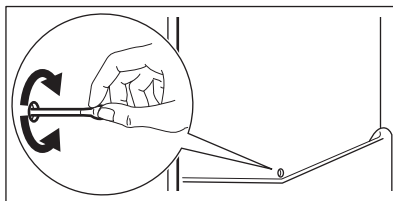
- Nettoyez l'intérieur et les accessoires à l'eau tiède et au savon neutre. Rincez-les et essuyez-les.
- Essuyez régulièrement les joints de la porte.

### 6.3 Décongélation du congélateur

Le givre est automatiquement éliminé de l'évaporateur du compartiment réfrigérateur en utilisation normale. L'eau de dégivrage est évacuée à travers un bac où elle s'évapore.

Nettoyez régulièrement le tour du drain d'eau de dégivrage au centre du compartiment réfrigérateur.

Utilisez la tige de nettoyage du tuyau fournie avec l'appareil.



## 6.4 Décongélation du congélateur

### ATTENTION!

N'utilisez jamais d'objets métalliques coupants pour gratter le givre de l'évaporateur.  
Pour accélérer le dégivrage, utilisez uniquement les accessoires recommandés pour cet appareil par le fabricant.



Réglez une température inférieure d'environ 12 h avant le dégivrage.

Il est normal qu'une fine couche de givre se forme sur les clayettes du congélateur et autour du compartiment supérieur. Dégivrez le congélateur lorsque l'épaisseur de la couche de givre est d'environ 3 à 5 mm.

1. Éteignez et débranchez l'appareil.
2. Retirez les aliments stockés.
3. Laissez la porte ouverte et protégez le sol contre l'eau de dégivrage.

4. Placez une casserole d'eau chaude dans le compartiment congélateur pour accélérer le processus de décongélation.
5. Séchez l'intérieur après le dégivrage.
6. Mettez l'appareil en fonctionnement. Refermez la porte.
7. Réglez la température la plus basse sur au moins 3 h avant de remettre les aliments dans le compartiment congélateur.

## 6.5 Période de non-utilisation

Si l'appareil n'est pas utilisé pendant une longue période, prenez les précautions suivantes :

1. Débranchez l'appareil de l'alimentation électrique.
2. Retirez tous les aliments.
3. Dégivrez l'appareil.
4. Nettoyez l'appareil et tous ses accessoires.
5. Laissez les portes ouvertes pour éviter les mauvaises odeurs.

## 7. DÉPANNAGE

### AVERTISSEMENT!

Reportez-vous aux chapitres relatifs à la Sécurité.

### 7.1 Que faire si...

Problème	Cause probable	Solution
L'appareil ne fonctionne pas.	L'appareil est à l'arrêt.	Mettez l'appareil en fonctionnement.
	La fiche d'alimentation n'est pas correctement branchée à la prise de courant.	Branchez la fiche secteur sur la prise de courant.
	Il n'y a pas de tension dans la prise de courant.	Branchez un autre appareil sur la prise de courant. Contactez un électricien qualifié.
L'appareil est bruyant.	L'appareil n'est pas positionné correctement.	Vérifiez que l'appareil est stable.
Les signaux sonores ou visuels sont activés.	La porte est laissée ouverte.	Refermez la porte.

<b>Problème</b>	<b>Cause probable</b>	<b>Solution</b>
Le compresseur fonctionne en permanence.	La température est mal réglée.	Reportez-vous au chapitre « Bandeau de commande ».
	Trop d'aliments sont placés en même temps.	Attendez quelques heures et vérifiez de nouveau la température.
	La température ambiante est trop élevée.	Reportez-vous au chapitre « Installation ».
	Les aliments placés dans l'appareil étaient trop chauds.	Laissez refroidir les produits à température ambiante avant de les ranger.
	La porte n'est pas correctement fermée.	Reportez-vous à la section « Fermeture de la porte ».
	La fonction Frostmatic est activée.	Consultez le paragraphe « Fonction Frostmatic ».
Le compresseur ne démarre pas immédiatement après avoir appuyé sur la touche « Frostmatic », ou après avoir modifié la température.	Le compresseur démarre au bout d'un certain temps.	C'est normal, aucune erreur n'est survenue.
La porte est mal alignée ou interfère avec le gril de ventilation.	L'appareil n'est pas d'aplomb.	Consultez les instructions d'installation.
La porte est difficile à ouvrir.	Vous avez essayé de rouvrir la porte immédiatement après l'avoir fermée.	Attendez quelques secondes après avoir fermé la porte pour la rouvrir.
L'éclairage ne fonctionne pas.	L'éclairage est en mode veille.	Fermez et ouvrez la porte.
	L'éclairage est défectueux.	Veuillez contacter le service après-vente agréé.
Il y a trop de givre et de glace.	La porte n'est pas correctement fermée.	Reportez-vous à la section « Fermeture de la porte ».
	Le joint est déformé ou sale.	Reportez-vous à la section « Fermeture de la porte ».
	Les aliments ne sont pas emballés correctement.	Emballer correctement les aliments.
	La température est mal réglée.	Reportez-vous au chapitre « Bandeau de commande ».
	L'appareil est complètement chargé et réglé sur la température la plus basse.	Sélectionnez une température plus élevée. Reportez-vous au chapitre « Bandeau de commande ».
	La température réglée dans l'appareil est trop basse et la température ambiante est trop élevée.	Sélectionnez une température plus élevée. Reportez-vous au chapitre « Bandeau de commande ».
De l'eau s'écoule sur la plaque arrière du réfrigérateur.	Pendant le dégivrage automatique, le givre fond sur la plaque arrière.	C'est normal.
Trop d'eau s'est condensée à l'intérieur du réfrigérateur.	La porte a été ouverte trop fréquemment.	N'ouvrez la porte qu'en cas de nécessité.

<b>Problème</b>	<b>Cause probable</b>	<b>Solution</b>
	La porte n'est pas entièrement fermée.	Assurez-vous que la porte est entièrement fermée.
	Les aliments conservés ne sont pas emballés.	Enveloppez les aliments dans un emballage adapté avant de les ranger dans l'appareil.
	Il est normal que pendant l'été et l'automne, plus de condensation puisse se former en raison de l'augmentation de l'humidité de l'air et des aliments. Le réfrigérateur ne produit pas d'humidité. Après cette période, l'humidité du réfrigérateur diminue d'elle-même.	En été et en automne, réglez la température plus chaude au réfrigérateur (environ 6 à 7 °C).
Il y a des gouttes d'eau sur les étagères en verre.	Il y a trop d'humidité à l'intérieur du réfrigérateur.	Essayez les étagères en verre avec un chiffon pour retirer les gouttes d'eau.
L'eau s'écoule à l'intérieur du réfrigérateur.	Des aliments empêchent l'eau de s'écouler dans le réservoir d'eau.	Assurez-vous que les aliments ne touchent pas la plaque arrière.
	La sortie d'eau est obstruée.	Nettoyez la sortie d'eau.
De l'eau s'écoule sur le sol.	La sortie d'eau de dégivrage n'est pas raccordée au bac d'évaporation situé au-dessus du compresseur.	Fixez la sortie de l'eau de dégivrage au plateau d'évaporation.
La température ne peut pas être réglée.	La fonction Frostmatic est activée.	Éteignez la fonction Frostmatic manuellement, ou attendez que la fonction se désactive automatiquement. Reportez-vous au paragraphe « FrostmaticFonction ».
La température à l'intérieur de l'appareil est trop basse/élevée.	La température n'est pas réglée correctement.	Sélectionnez une température plus élevée/plus basse.
	La porte n'est pas correctement fermée.	Reportez-vous à la section « Fermeture de la porte ».
	Les aliments sont trop chauds.	Laissez les aliments refroidir avant de les ranger.
	Trop d'aliments sont stockés en même temps.	Conservez moins d'aliments en même temps.
	L'épaisseur du givre est supérieure à 4-5 mm.	Dégivrez l'appareil.
	La porte a été ouverte souvent.	N'ouvrez la porte que si nécessaire.
	La fonction Frostmatic est activée.	Consultez le paragraphe « Fonction Frostmatic ».
	L'air froid ne circule pas dans l'appareil.	Assurez-vous que l'air froid circule dans l'appareil. Reportez-vous au chapitre « Conseils ».

Problème	Cause probable	Solution
Les LED de réglage de la température clignotent en même temps.	Une erreur s'est produite lors de la mesure de la température.	Veuillez contacter le service après-vente agréé. Le système de refroidissement continue de maintenir les aliments au frais, mais le réglage de la température n'est pas possible.



Si le problème persiste, contactez le service après-vente agréé.

## 7.2 Remplacement de l'ampoule

Pour remplacer la lampe, contactez le service après-vente agréé.

## 7.3 Fermeture de la porte

1. Nettoyer les joints de porte.
2. Pour régler la porte, reportez-vous aux instructions d'installation.
3. Pour remplacer les joints de porte défectueux, contactez le service après-vente agréé.

## 8. DONNÉES TECHNIQUES

Les caractéristiques techniques figurent sur la plaque signalétique située sur à l'intérieur de l'appareil et sur l'étiquette énergétique.

Tension	230 - 240 V
Fréquence	50 Hz

## 9. INFORMATIONS POUR LES LABORATOIRES D'ESSAIS

L'installation et la préparation de l'appareil pour une vérification EcoDesign doivent être conformes à la norme EN 62552 (EU). Les exigences en matière de ventilation, les dimensions des évidements et les dégagements arrière minimum doivent

correspondre aux indications du « Installation » de ce manuel d'utilisation. Veuillez contacter le fabricant pour de plus amples informations, notamment les plans de chargement.

## 10. GARANTIE

### Service-clientèle

#### Points de Service

Industriestrasse 10  
5506 Mägenwil

Le Trési 6  
1028 Préverenges

Via Violino 11  
6928 Manno

## Points de Service

Morgenstrasse 131  
3018 Bern

Langgasse 10  
9008 St. Gallen

Am Mattenhof 4a/b  
6010 Kriens

Schlossstrasse 1  
4133 Pratteln

Comercialstrasse 19  
7000 Chur



### Points de vente de rechange



Industriestrasse 10, 5506 Mägenwil, Tel. 0848 848 111

**Conseil technique/Vente** Badenerstrasse 587, 8048 Zürich, Tel. 044 405 81 11

**Garantie** Nous octroyons sur chaque produit 2 ans de garantie à partir de la date de livraison ou de la mise en service au consommateur (documenté au moyen d'une facture, d'un bon de garantie ou d'un justificatif d'achat). Notre garantie couvre les

frais de mains d'œuvres et de déplacement, ainsi que les pièces de rechange. Les conditions de garantie ne sont pas valables en cas d'intervention d'un tiers non autorisé, de l'emploi de pièces de rechange non originales, d'erreurs de maniement ou d'installation dues à l'inobservation du mode d'emploi, et pour des dommages causés par des influences extérieures ou de force majeure.

## 11. EN MATIÈRE DE PROTECTION DE L'ENVIRONNEMENT

Recyclez les matériaux portant le symbole . Déposez les emballages dans les conteneurs prévus à cet effet. Contribuez à la protection de l'environnement et à votre sécurité, recyclez vos produits électriques et électroniques. Ne jetez pas les appareils portant le symbole  avec les ordures ménagères. Emmenez un tel produit dans votre centre local de recyclage ou contactez vos services municipaux.



### Pour la Suisse:

Où aller avec les appareils usagés ? Partout où des appareils neufs sont vendus, mais aussi dans un centre de collecte ou une entreprise de récupération officiels SENS. La liste des centres de collecte officiels SENS est disponible sous [www.erecycling.ch](http://www.erecycling.ch)

**FR** Concerne la France uniquement :



**FR**

Cet appareil, ses accessoires et cordons se recyclent



REPRISE À LA LIVRAISON



À DÉPOSER EN MAGASIN



À DÉPOSER EN DÉCHÈTERIE



**FR**



Points de collecte sur [www.quefairedemesdechets.fr](http://www.quefairedemesdechets.fr)  
Privilégiez la réparation ou le don de votre appareil !

# Willkommen bei AEG! Danke, dass Sie sich für unser Gerät entschieden haben.



Um Anwendungshinweise, Prospekte, Informationen zu Fehlerbehebung, Service und Reparatur zu erhalten:  
[www.aeg.com/support](http://www.aeg.com/support)

Änderungen vorbehalten.

## INHALTSVERZEICHNIS

1. SICHERHEITSHINWEISE.....	29
2. SICHERHEITSANWEISUNGEN.....	31
3. BEDIENFELD.....	34
4. TÄGLICHER GEBRAUCH.....	35
5. TIPPS UND HINWEISE.....	36
6. REINIGUNG UND PFLEGE.....	37
7. PROBLEMBEHEBUNG.....	38
8. TECHNISCHE DATEN.....	41
9. INFORMATIONEN FÜR PRÜFINSTITUTE.....	41
10. GARANTIE.....	41
11. UMWELTTIPPS.....	42

## 1. ⚠ SICHERHEITSHINWEISE

Lesen Sie vor der Montage und dem Gebrauch des Geräts zuerst die Bedienungsanleitung. Bei Verletzungen oder Schäden infolge nicht ordnungsgemäßer Montage oder Verwendung übernimmt der Hersteller keine Haftung. Bewahren Sie die Anleitung zum Nachschlagen an einem sicheren und zugänglichen Ort auf.

### 1.1 Sicherheit von Kindern und schutzbedürftigen Personen

- Das Gerät kann von Kindern ab 8 Jahren und Personen mit eingeschränkten physischen, sensorischen oder geistigen Fähigkeiten oder mit mangelnder Erfahrung / mangelndem Wissen benutzt werden, wenn sie durch eine für ihre Sicherheit zuständige Person beaufsichtigt werden oder von dieser Person Anweisungen erhalten haben, wie das Gerät sicher zu bedienen ist und welche Gefahren bei nicht

ordnungsgemäßer Bedienung bestehen. Kinder im Alter von 3 bis 8 Jahren und Personen mit sehr umfangreichen und komplexen Behinderungen dürfen das Gerät unter der Voraussetzung, dass sie ordnungsgemäß angewiesen wurden, be- und entladen. Halten Sie Kinder unter 3 Jahren vom Gerät fern, wenn sie nicht ständig beaufsichtigt werden.

- Kinder sollten beaufsichtigt werden, damit sie nicht mit dem Gerät spielen.
- Kinder dürfen keine Reinigung und Wartung des Geräts ohne Beaufsichtigung durchführen.
- Halten Sie sämtliches Verpackungsmaterial von Kindern fern und entsorgen Sie es ordnungsgemäß.

## **1.2 Allgemeine Sicherheit**

- Dieses Gerät ist nur zur Lagerung von Lebensmitteln und Getränken bestimmt.
- Dieses Gerät ist für den häuslichen Gebrauch im Haushalt in Innenräumen konzipiert.
- Dieses Gerät darf in Büros, Hotelzimmern, Gästezimmern in Pensionen, Bauernhöfen und anderen ähnlichen Unterkünften verwendet werden, wenn diese Nutzung das (durchschnittliche) Nutzungsniveau im Haushalt nicht überschreitet.
- Um eine Kontaminierung von Lebensmitteln zu vermeiden, beachten Sie die folgenden Hinweise:
  - Öffnen Sie die Tür nicht über längere Zeit hinweg;
  - reinigen Sie regelmäßig Oberflächen, die mit Lebensmitteln in Kontakt kommen können, und zugängliche Ablaufsysteme;
  - lagern Sie rohes Fleisch und Fisch in geeigneten Behältern im Kühlschrank, so dass sie nicht mit anderen Lebensmitteln in Berührung kommen oder auf diese tropfen.

- **ACHTUNG:** Halten Sie die Lüftungsöffnungen im Gerätegehäuse oder in der Einbaunische frei von Hindernissen.
- **ACHTUNG:** Versuchen Sie nicht, den Abtauvorgang durch andere als vom Hersteller empfohlene mechanische oder sonstige Hilfsmittel zu beschleunigen.
- **ACHTUNG:** Achten Sie darauf, den Kältekreislauf nicht zu beschädigen.
- **ACHTUNG:** Betreiben Sie in den Lebensmittelfächern des Geräts keine anderen als die vom Hersteller empfohlenen Elektrogeräte.
- Reinigen Sie das Gerät nicht mit Wasserspray oder Dampf.
- Reinigen Sie das Gerät mit einem weichen, feuchten Lappen. Verwenden Sie ausschließlich Neutralreiniger. Verwenden Sie keine Scheuermittel, Scheuerschwämme, scharfe Reinigungsmittel oder Metallgegenstände.
- Wenn das Gerät längere Zeit leer steht, schalten Sie es aus, tauen Sie es ab, reinigen und trocknen Sie es und lassen Sie die Tür offen, um Schimmelbildung im Gerät zu vermeiden.
- Bewahren Sie keine explosiven Substanzen wie Aerosoldosen mit brennbarem Treibgas in diesem Gerät auf.
- Wenn das Netzkabel beschädigt ist, muss es vom Hersteller, einem autorisierten Servicezentrum oder einer ähnlich qualifizierten Person zur Vermeidung einer Gefahrenquelle ersetzt werden.

## 2. SICHERHEITSANWEISUNGEN

### 2.1 Montage

#### **WARNUNG!**

Nur eine qualifizierte Fachkraft darf die Montage des Geräts vornehmen.

- Entfernen Sie das gesamte Verpackungsmaterial.

- Montieren Sie ein beschädigtes Gerät nicht und benutzen Sie es nicht.
- Verwenden Sie das Gerät aus Sicherheitsgründen nicht, bevor es in den Einbauschrank gesetzt wird.
- Befolgen Sie die separaten Anweisungen für die Installation des Geräts und die Türumkehrung, die auf unserer Website zur Verfügung stehen.

- Seien Sie beim Umsetzen des Gerätes vorsichtig, da es sehr schwer ist. Tragen Sie stets Sicherheitshandschuhe und festes Schuhwerk.
- Stellen Sie sicher, dass die Luft um das Gerät zirkulieren kann.
- Warten Sie nach der Montage oder dem Wechsel des Türanschlags mindestens 4 Stunden, bevor Sie das Gerät an die Stromversorgung anschließen. So kann das Öl in den Kompressor zurückfließen.
- Ziehen Sie den Stecker aus der Steckdose, bevor Sie am Gerät arbeiten (z.B. Wechsel des Türanschlags).
- Stellen Sie das Gerät nicht in der Nähe von Heizkörpern oder Herden, Backöfen oder Kochfeldern auf, es sei denn, in der Installationsanleitung ist etwas anderes angegeben.
- Setzen Sie das Gerät nicht dem Regen aus.
- Installieren Sie das Gerät nicht an einem Ort mit direkter Sonneneinstrahlung.
- Stellen Sie dieses Gerät nicht in Bereichen auf, die zu feucht oder kalt sind.
- Wenn Sie das Gerät verschieben, heben Sie es an der Vorderkante an, um den Fußboden nicht zu verkratzen.
- Schützen Sie den Boden beim Umkehren der Gerätetür vor Kratzern.

## 2.2 Elektrischer Anschluss

### **WARNUNG!**

Brand- und Stromschlaggefahr.

### **WARNUNG!**

Achten Sie bei der Montage des Geräts darauf, dass das Netzkabel nicht eingeklemmt oder beschädigt wird.

### **WARNUNG!**

Verwenden Sie keine Mehrfachsteckdosen und Verlängerungskabel.

- Stellen Sie sicher, dass die Daten auf dem Typenschild mit den elektrischen Nennwerten der Netzspannung übereinstimmen.
- Das Gerät muss geerdet sein.

- Schließen Sie das Gerät nur an eine ordnungsgemäß installierte Schutzkontaktsteckdose an.
- Wenn die Steckdose nicht geerdet ist, schließen Sie das Gerät gemäß den geltenden Vorschriften an eine separate Erdung an und wenden Sie sich an eine(n) qualifizierte(n) Elektriker\*in.
- Achten Sie darauf, die elektrischen Bauteile nicht zu beschädigen (z. B. Netzstecker, Netzkabel, Kompressor). Wenden Sie sich zum Austausch elektrischer Bauteile an das autorisierte Servicezentrum oder eine(n) Elektriker\*in.
- Das Netzkabel muss unterhalb des Netzsteckers liegen.
- Stecken Sie den Netzstecker erst nach Abschluss der Montage in die Steckdose. Stellen Sie sicher, dass der Netzstecker nach der Montage noch zugänglich ist.
- Ziehen Sie nicht am Netzkabel, wenn Sie das Gerät von der Stromversorgung trennen möchten. Ziehen Sie stets am Netzstecker.

## 2.3 Gebrauch

### **WARNUNG!**

Es besteht Verletzungs-, Verbrennungs-, Stromschlag- oder Brandgefahr.



Das Gerät enthält Isobutan (R600a), ein brennbares Erdgas mit einem hohen Grad an Umweltverträglichkeit. Achten Sie darauf, den Kältekreislauf, der Isobutan enthält, nicht zu beschädigen.

- Nehmen Sie keine technischen Änderungen am Gerät vor.
- Jegliche Verwendung des eingebauten Produkts als freistehendes Produkt ist strengstens untersagt.
- Dieses Gerät ist für den Einsatz bei einer Umgebungstemperatur von 10°C bis 43°C vorgesehen. Der korrekte Betrieb des Geräts kann nur innerhalb des angegebenen Temperaturbereichs garantiert werden.
- Stellen Sie keine elektrischen Geräte (z. B. Eisbereiter) in das Gerät, wenn solche Geräte nicht ausdrücklich vom

Hersteller für diesen Zweck zugelassen sind.

- Wird der Kältekreislauf beschädigt, stellen Sie bitte sicher, dass keine Flammen und Zündquellen im Raum vorhanden sind. Lüften Sie den Raum.
- Achten Sie darauf, dass keine heißen Gegenstände auf die Kunststoffteile des Geräts gelangen.
- Geben Sie keine Softdrinks in das Gefrierfach. Dadurch entsteht Druck auf den Getränkebehälter.
- Lagern Sie keine brennbaren Gase und Flüssigkeiten im Gerät.
- Platzieren Sie keine entflammaren Produkte oder Gegenstände, die mit entflammaren Produkten benetzt sind, im Gerät, auf dem Gerät oder in der Nähe des Geräts.
- Berühren Sie nicht den Kompressor oder den Kondensator. Diese sind heiß.
- Nehmen Sie keine Gegenstände aus dem Gefrierfach und berühren Sie diese nicht, falls Ihre Hände nass oder feucht sind.
- Frieren Sie aufgetaute Lebensmittel nicht wieder ein.
- Befolgen Sie die Hinweise auf der Verpackung zur Aufbewahrung tiefgekühlter Lebensmittel.
- Wickeln Sie die Lebensmittel in Lebensmittelkontaktmaterial ein, bevor Sie sie in das Gefrierfach legen.
- Achten Sie darauf, dass keine Lebensmittel mit den Innenwänden der Gerätefächer in Berührung kommen.

## 2.4 Innenbeleuchtung

### **WARNUNG!**

Stromschlaggefahr.

- Dieses Produkt enthält eine oder mehrere Lichtquellen der Energieeffizienzklasse G.
- Bezüglich der Lampe(n) in diesem Gerät und separat verkaufter Ersatzlampen: Diese Lampen müssen extremen physikalischen Bedingungen in Haushaltsgeräten standhalten, wie z.B. Temperatur, Vibration, Feuchtigkeit, oder sollen Informationen über den Betriebszustand des Gerätes anzeigen. Sie sind nicht für den Einsatz in anderen

Geräten vorgesehen und nicht für die Raumbeleuchtung geeignet.

## 2.5 Reinigung und Pflege

### **WARNUNG!**

Andernfalls besteht Verletzungsgefahr und das Gerät könnte beschädigt werden.

- Vor Wartungsarbeiten das Gerät deaktivieren und den Stecker des Anschlusskabels aus der Steckdose ziehen.
- Dieses Gerät enthält Kohlenwasserstoffe in der Kühleinheit. Das Gerät darf nur von einer qualifizierten Fachkraft gewartet werden.
- Prüfen Sie regelmäßig den Wasserabfluss des Geräts und reinigen Sie diesen gegebenenfalls. Ist der Abfluss verstopft, sammelt sich das aufgetaute Wasser im Boden des Geräts.

## 2.6 Service

- Wenden Sie sich zur Reparatur des Geräts an das autorisierte Servicezentrum. Verwenden Sie nur Original-Ersatzteile.
- Bitte beachten Sie, dass eigene Reparaturen oder Reparaturen, die nicht von Fachkräften durchgeführt werden, die Sicherheit des Geräts beeinträchtigen und zum Erlöschen der Garantie führen können.
- Die folgenden Ersatzteile werden auch nach der Einstellung des Modells 7 Jahre lang vorgehalten: Thermostate, Temperatursensoren, Platinen, Lichtquellen, Türgriffe, Türscharniere, Einsätze und Körbe. Türdichtungen sind mindestens 10 Jahre lang nach Einstellung des Modells erhältlich. Die Dauer kann in Ihrem Land länger sein. Für weitere Informationen besuchen Sie bitte unsere Website.
- Bitte beachten Sie, dass einige dieser Ersatzteile nur an Reparaturbetriebe geliefert werden können und nicht alle Ersatzteile für alle Modelle relevant sind.

## 2.7 Entsorgung

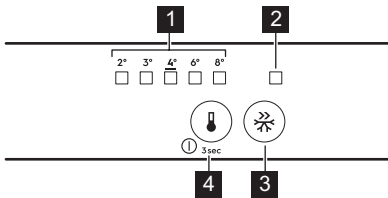
### ⚠️ WARNUNG!

Verletzungs- und Erstickungsgefahr.

- Trennen Sie das Gerät von der Stromversorgung.
- Schneiden Sie das Netzkabel ab, und entsorgen Sie es.
- Entfernen Sie die Tür, um zu verhindern, dass sich Kinder oder Haustiere in dem Gerät einschließen.

- Der Kältekreislauf und die Isolierungsmaterialien dieses Gerätes sind ozonfreundlich.
- Die Isolierung enthält entzündliches Gas. Für Informationen zur korrekten Entsorgung des Gerätes wenden Sie sich an Ihre kommunale Behörde.
- Achten Sie darauf, dass die Kühleinheit in der Nähe des Wärmetauschers nicht beschädigt wird.

## 3. BEDIENFELD



- 1 LED-Temperaturanzeige
- 2 Frostmatic-Anzeige
- 3 Frostmatic-Taste
- 4 Temperaturregler „EIN/AUS“-Taste

### 3.1 EIN/AUS schalten

#### Einschalten

1. Stecken Sie den Stecker in die Wandsteckdose.
2. Drücken Sie den Temperaturregler, wenn alle LEDs ausgeschaltet sind.

#### Ausschalten

Drücken Sie weiterhin die Temperaturreglertaste für 3 Sek. Alle Kontrolllampen erlöschen.

### 3.2 Temperaturregelung

Drücken Sie den Temperaturregler. Die Anzeige der aktuellen LED Temperatur blinkt. Wenn Sie den Temperaturregler drücken, bewegt sich die Einstellung um eine Position. Wiederholen Sie den Vorgang, bis das Gerät die erforderliche Temperatur erreicht hat.

Der Temperaturbereich kann zwischen 2°C und 8°C variieren (empfohlen 4°C).



Die eingestellte Temperatur wird innerhalb von 24 Std erreicht. Nach einem Stromausfall bleibt die eingestellte Temperatur gespeichert.

### 3.3 Frostmatic-Funktion

Die Frostmatic-Funktion dient dazu, das Gefrierfach auf das Vorgefrieren und anschließende Schnellgefrieren der Lebensmittel vorzubereiten. Diese Funktion beschleunigt das Einfrieren von frischen Lebensmitteln und schützt die bereits gelagerten Lebensmittel vor dem Aufwärmen.



Um frische Lebensmittel einzufrieren, schalten Sie die Frostmatic-Funktion mindestens 24 Std, bevor Sie die einzufrierenden Lebensmittel in das Gefrierfach hineinlegen, ein, um das Vorgefrieren abzuschließen.

Drücken Sie zum Einschalten der Funktion Frostmatic die Taste Frostmatic. Die Kontrolllampe Frostmatic leuchtet auf.



Diese Funktion endet automatisch nach 52 Std.

Um die Funktion auszuschalten, drücken Sie die Frostmatic-Taste erneut. Die Anzeige Frostmatic erlischt.

### 3.4 Alarm - Tür offen

Wenn die Kühlschranktür etwa 5 Minuten geöffnet bleibt, ertönt der Signalton.

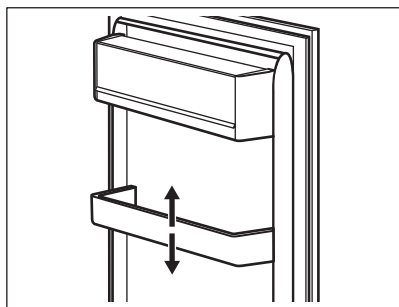
In der Alarmphase kann der Signalton durch Drücken einer beliebigen Taste ausgeschaltet werden. Der Ton schaltet sich nach etwa einer Stunde automatisch ab, um nicht zu stören.

Der Alarm schaltet sich aus, wenn die Tür geschlossen wird.

## 4. TÄGLICHER GEBRAUCH

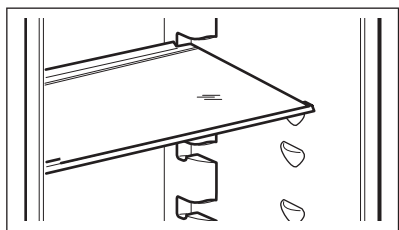
### 4.1 Positionieren der Türablagen

Zur leichteren Lagerung von Lebensmitteln können die Türregale in unterschiedlichen Höhen montiert werden. Ziehen Sie das Regal nach oben, um es neu zu positionieren.



### 4.2 Bewegliche Ablagen

Die Wände des Kühlschranks sind mit Schienen ausgestattet. Sie können die Positionen der Regale ändern.



Die Glasablage über der Gemüseschublade sollten jedoch nicht verstellt werden, um eine korrekte Luftzirkulation zu gewährleisten.

### 4.3 Obst- / Gemüseschublade

Im unteren Teil des Geräts befindet sich eine spezielle Schublade, die sich zur Aufbewahrung von Obst und Gemüse eignet.

### 4.4 Einfrieren frischer Lebensmittel

Verwenden Sie das Gefrierfach zum Einfrieren frischer Lebensmittel und zur langfristigen Aufbewahrung gefrorener und tiefgefrorener Lebensmittel.

Schalten Sie die Funktion Frostmatic mindestens 24 Std, bevor Sie die einzufrierenden Lebensmittel in das Gefrierfach hineinlegen, ein.

Lagern Sie frische Lebensmittel gleichmäßig verteilt in allen Fächern oder Schubladen.

Überschreiten Sie nicht die maximale Menge an Lebensmitteln, die eingefroren werden kann, ohne dass andere frische Lebensmittel innerhalb von 24 Std hinzukommen (siehe Typenschild).

Nach Abschluss des Gefriervorgangs kehrt das Gerät automatisch auf die vorherige Temperatureinstellung zurück (siehe „Frostmatic-Funktion“).



Die Temperatur im Kühlschrank kann sich ändern.

Weitere Informationen finden Sie unter „Tipps zum Einfrieren“.

### 4.5 Lagerung von Tiefkühlgerichten

Wenn Sie das Gerät zum ersten Mal oder nach längerem Nichtgebrauch einschalten, aktivieren Sie die Funktion Frostmatic

mindestens 3 Std, bevor Sie Lebensmittel in das Gefrierfach legen.

**⚠ VORSICHT!**

Wenn der Strom länger als die auf dem Typenschild unter „Anstiegszeit“ angezeigte Zeit ausgefallen ist, müssen die aufgetauten Lebensmittel sofort verbraucht werden.

## 5. TIPPS UND HINWEISE

### 5.1 Tipps zum Energiesparen


- Kühlschrank: Die effizienteste Energienutzung wird erreicht, wenn die Schubladen im unteren Teil des Geräts eingesetzt und die Ablagen gleichmäßig angeordnet sind. Die Position der Türablagen wirkt sich nicht auf den Energieverbrauch aus.
- Öffnen Sie die Tür nicht zu häufig, und lassen Sie diese nicht länger offen als notwendig.
- Gefriergerät: Je kälter die eingestellte Temperatur, desto höher der Energieverbrauch.
- Kühlschrank: Stellen Sie die Temperatur nicht zu hoch ein, es sei denn, dies ist wegen der Beschaffenheit der Lebensmittel erforderlich.
- Wenn die Umgebungstemperatur hoch ist, der Temperaturregler auf eine niedrige Temperatur eingestellt und das Gerät voll beladen ist, kann es zu andauerndem Betrieb des Kompressors und damit zu Reif- oder Eisbildung am Verdampfer kommen. Stellen Sie in diesem Fall den Temperaturregler auf eine höhere Temperatur, um das automatische Abtauen zu ermöglichen.
- Bedecken Sie die Belüftungsgitter oder -öffnungen nicht.

### 5.2 Tipps zum Einfrieren

- Frieren Sie Flaschen oder Dosen mit Flüssigkeiten, insbesondere kohlendioxidhaltigen Getränken, nicht ein. Sie können beim Einfrieren explodieren.
- Geben Sie keine heißen Lebensmittel in den Gefrierraum.
- Stellen Sie frische, nicht gefrorene Lebensmittel nicht direkt neben bereits gefrorene Lebensmittel.

- Essen Sie Eiswürfel, Wassereis oder Eislutscher nicht sofort, nachdem Sie sie aus dem Gefrierschrank genommen haben, um Erfrierungen zu vermeiden.
- Frieren Sie aufgetaute Lebensmittel nicht wieder ein.

### 5.3 Hinweise zur Lagerung von Tiefkühlgerichten


- Das Gefrierfach ist gekennzeichnet mit .
- Eine gute Temperatureinstellung, die die Konservierung von Tiefkühlgerichten sicherstellt, ist eine Temperatur von weniger oder gleich -18 °C.
- Eine höhere Temperatureinstellung im Gerät kann die Haltbarkeit verkürzen.
- Der gesamte Gefrierraum ist für die Lagerung von Tiefkühlprodukten geeignet.
- Lassen Sie ausreichend Platz um die Lebensmittel herum, damit die Luft frei zirkulieren kann.

### 5.4 Lagerdauer im Gefrierfach

Lebensmittel	Lagerdauer (Monate)
Brot	3
Früchte (außer Zitrusfrüchten)	6 - 12
Gemüse	8 - 10
Reste ohne Fleisch	1 - 2
<b>Molkereiprodukte:</b>	
Butter	6 - 9
Weichkäse (z. B. Mozzarella)	3 - 4
Hartkäse (z. B. Parmesan, Cheddar)	6

Lebensmittel	Lagerdauer (Monate)
<b>Meeresfrüchte:</b>	
Fetthaltiger Fisch (z. B. Lachs, Makrele)	2 - 3
Fettarmer Fisch (z. B. Dorsch, Flunder)	4 - 6
Shrimps	12
Muscheln und Miesmuscheln ohne Schale	3 - 4
Gekochter Fisch	1 - 2
<b>Fleisch:</b>	
Geflügel	9 - 12
Rindfleisch	6 - 12
Schweinefleisch	4 - 6
Lamm	6 - 9
Wurst	1 - 2
Schinken	1 - 2
Reste mit Fleisch	2 - 3

## 5.5 Hinweise für die Kühlung von Lebensmitteln

- Das Fach für frische Lebensmittel ist gekennzeichnet mit .
- Eine gute Temperatureinstellung, die die Konservierung von frischen Lebensmitteln

- sicherstellt, ist eine Temperatur von weniger oder gleich +4 °C.
- Verwenden Sie immer geschlossene Behälter für Flüssigkeiten und Lebensmittel, um Dünfte oder Gerüche im Fach zu vermeiden.
- Um eine Kreuzkontamination zwischen gekochten und rohen Lebensmitteln zu vermeiden, decken Sie die gekochten Lebensmittel ab und trennen Sie sie von den rohen.
- Wickeln Sie das Fleisch ein und legen Sie es auf die Glasablage über der Gemüseschublade.
- Tauen Sie die Lebensmittel im Kühlschrank auf.
- Stellen Sie keine warmen Lebensmittel in das Gerät.
- Reinigen Sie Obst und Gemüse und legen Sie sie in eine dafür vorgesehene Schublade (Gemüseschublade).
- Bewahren Sie exotische Früchte nicht im Kühlschrank auf.
- Bewahren Sie Gemüse wie Tomaten, Kartoffeln, Zwiebeln und Knoblauch nicht im Kühlschrank auf.
- Schließen Sie die Flaschen, bevor Sie sie in den Kühlschrank stellen.

## 6. REINIGUNG UND PFLEGE

### **WARNUNG!**

Sehen Sie Kapitel „Sicherheitshinweise“.

### 6.1 Reinigung des Innenraums

Reinigen Sie das Innere und alle Zubehörteile vor dem ersten Gebrauch mit lauwarmem Wasser und neutraler Seife und trocknen Sie sie anschließend.

### **VORSICHT!**

Das Zubehör und die Teile des Geräts sind nicht zur Reinigung im Geschirrspüler geeignet.

### 6.2 Regelmäßige Reinigung

Reinigen Sie das Gerät regelmäßig:

- Reinigen Sie die Innenseite und das Zubehör mit lauwarmem Wasser und

etwas neutraler Seife. Spülen Sie sie ab und wischen Sie sie trocken.

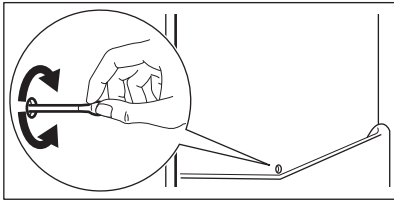
- Wischen Sie die Türdichtungen regelmäßig ab.

### 6.3 Abtauen des Kühlschranks

Bei normalem Betrieb wird Frost automatisch aus dem Verdampfer des Kühlschrankfachs entfernt. Das Abtauwasser fließt durch eine Wanne in einen speziellen Behälter, wo es verdampft.

Reinigen Sie regelmäßig das Abtauwasser-Ablassloch in der Mitte des Kühlschrankfachkanals.

Verwenden Sie den Schlauchreiniger, der dem Gerät beiliegt.



## 6.4 Abtauen des Gefriergeräts

### ⚠ VORSICHT!

Verwenden Sie niemals scharfe Metallwerkzeuge, um Frost vom Verdampfer abzukratzen. Verwenden Sie nur vom Hersteller empfohlenes Zubehör, um das Auftauen zu beschleunigen.



Stellen Sie etwa 12 Std vor dem Abtauen eine niedrigere Temperatur ein.

Es ist normal, dass sich eine dünne Frostsicht auf den Gefrierschrankablagen und um das obere Fach herum bildet. Tauen Sie den Gefrierschrank ab, wenn die Frostsicht eine Stärke von etwa 3 bis 5 mm erreicht.

1. Schalten Sie das Gerät aus und ziehen Sie den Netzstecker.
2. Entnehmen Sie eingelagerte Lebensmittel.
3. Lassen Sie die Tür offen und schützen Sie den Boden vor dem Wasser.
4. Stellen Sie einen Topf mit warmem Wasser in das Gefrierfach, um das Abtauen zu beschleunigen.
5. Trocknen Sie das Innere nach dem Auftauen.
6. Schalten Sie das Gerät ein. Schließen Sie die Tür.
7. Stellen Sie die niedrigste Temperatur für mindestens 3 Std ein, bevor Sie die Lebensmittel wieder in das Gefrierfach legen.

## 6.5 Stillstandszeiten

Bei längerem Stillstand des Geräts müssen Sie folgende Vorkehrungen treffen:

1. Trennen Sie das Gerät von der Stromversorgung.
2. Entfernen Sie alle Lebensmittel.
3. Tauen Sie das Gerät ab.
4. Reinigen Sie das Gerät und alle Zubehörteile.
5. Lassen Sie die Türen geöffnet, um unangenehme Gerüche zu vermeiden.

# 7. PROBLEMBEHEBUNG

### ⚠ WARNUNG!

Sehen Sie Kapitel „Sicherheitshinweise“.

## 7.1 Was zu tun ist, wenn ...

Störung	Mögliche Ursache	Lösung
Das Gerät funktioniert nicht.	Das Gerät ist ausgeschaltet.	Schalten Sie das Gerät ein.
	Der Netzstecker ist nicht richtig in die Netzsteckdose eingesteckt.	Stecken Sie den Netzstecker richtig in die Netzsteckdose.
	Die Netzsteckdose hat keine Netzspannung.	Schließen Sie ein anderes Elektrogerät an der Netzsteckdose an. Wenden Sie sich an eine(n) qualifizierte(n) Elektriker*in.
Das Gerät ist laut.	Das Gerät ist nicht ordnungsgemäß abgestützt.	Prüfen Sie, ob sich das Gerät in einer stabilen Position befindet.

<b>Störung</b>	<b>Mögliche Ursache</b>	<b>Lösung</b>
Es wird ein akustisches oder optisches Alarmsignal ausgelöst.	Die Tür ist offen.	Schließen Sie die Tür.
Der Kompressor arbeitet ständig.	Die Temperatur ist falsch eingestellt.	Siehe Kapitel „Bedienfeld“.
	Es werden zu viele Lebensmittel auf einmal hineingegeben.	Warten Sie einige Stunden und prüfen Sie erneut die Temperatur.
	Die Raumtemperatur ist zu hoch.	Siehe Kapitel „Montage“.
	Die in das Gerät gegebenen Lebensmittel sind zu warm.	Lassen Sie die Lebensmittel vor deren Aufbewahrung auf Raumtemperatur abkühlen.
	Die Tür ist nicht richtig geschlossen.	Siehe Abschnitt „Schließen der Tür“.
Der Kompressor schaltet sich nicht sofort ein, nachdem Sie „Frostmatic“ gedrückt oder die Temperatur auf einen anderen Wert eingestellt haben.	Die Funktion Frostmatic ist eingeschaltet.	Siehe Abschnitt „Funktion Frostmatic“.
	Der Kompressor startet nach einer gewissen Zeit.	Das ist normal; es ist kein Fehler aufgetreten.
Die Tür ist falsch ausgerichtet oder beeinträchtigt das Lüftungsgitter.	Das Gerät ist nicht ausgerichtet.	Siehe Montageanleitung.
Die Tür lässt sich nicht leicht öffnen.	Sie haben versucht, die Tür unmittelbar nach dem Schließen erneut zu öffnen.	Warten Sie einige Sekunden zwischen dem Schließen und erneutem Öffnen der Tür.
Die Lampe funktioniert nicht.	Die Lampe ist im Standby-Modus.	Schließen Sie die Tür und öffnen Sie die Tür wieder.
	Die Lampe ist defekt.	Wenden Sie sich an das autorisierte Servicezentrum.
Zu viel Frost und Eis.	Die Tür ist nicht richtig geschlossen.	Siehe Abschnitt „Schließen der Tür“.
	Die Dichtung ist verzogen oder verschmutzt.	Siehe Abschnitt „Schließen der Tür“.
	Lebensmittel sind nicht richtig verpackt.	Verpacken Sie das Essen richtig.
	Die Temperatur ist falsch eingestellt.	Siehe Kapitel „Bedienfeld“.
	Das Gerät ist voll von Lebensmitteln und auf die niedrigste Temperatur eingestellt.	Stellen Sie eine höhere Temperatur ein. Siehe Kapitel „Bedienfeld“.
Wasser fließt an der Rückwand des Kühlschranks herunter.	Die eingestellte Temperatur im Gerät ist zu niedrig, und die Umgebungstemperatur ist zu hoch.	Stellen Sie eine höhere Temperatur ein. Siehe Kapitel „Bedienfeld“.
	Während des automatischen Abtauprozesses taut das Eis an der Rückwand ab.	Das ist richtig.
Im Kühlschrank befindet sich zu viel Kondenswasser.	Die Tür wurde zu häufig geöffnet.	Öffnen Sie die Tür nur bei Bedarf.

Störung	Mögliche Ursache	Lösung
	Die Tür wurde nicht vollständig geschlossen.	Achten Sie darauf, dass die Tür vollständig geschlossen ist.
	Die aufbewahrten Lebensmittel waren nicht verpackt.	Packen Sie die Lebensmittel richtig ein, bevor Sie diese in das Gerät legen.
	Es ist normal, dass sich im Sommer und Herbst aufgrund der erhöhten Luft- und Lebensmittelfeuchtigkeit mehr Kondensation bilden kann. Ein Kühlschrank produziert keine Feuchtigkeit. Nach dieser Zeit nimmt die Luftfeuchtigkeit im Kühlschrank von selbst ab.	Stellen Sie den Kühlschrank im Sommer und Herbst auf die wärmere Temperatur ein (ca. 6-7 °C).
Auf den Glasregalen befinden sich Wassertropfen.	Im Kühlschrank befindet sich zu viel Feuchtigkeit.	Wischen Sie die Glasablagen mit einem Tuch ab, um die Wassertropfen zu entfernen.
Wasser fließt innerhalb des Kühlschranks.	Lebensmittel verhindern das Abfließen des Wassers in den Wassersammler.	Achten Sie darauf, dass die Lebensmittel nicht die Rückwand berühren.
	Der Wasserablauf ist verstopft.	Reinigen Sie den Wasserablauf.
Wasser fließt auf den Boden.	Der Tauwasserablauf ist nicht an die Verdampfungsschale über dem Kompressor angeschlossen.	Bringen Sie den Tauwasserablauf an der Verdampfungsschale an.
Die Temperatur kann nicht eingestellt werden.	Die Frostmatic Funktion ist eingeschaltet.	Schalten Sie die Frostmatic Funktion manuell aus oder warten Sie, bis sie sich automatisch deaktiviert. Siehe Abschnitt „Funktion Frostmatic“.
Die Temperatur im Gerät ist zu niedrig / zu hoch.	Die Temperatur ist nicht richtig eingestellt.	Stellen Sie eine höhere / niedrigere Temperatur ein.
	Die Tür ist nicht richtig geschlossen.	Siehe Abschnitt „Schließen der Tür“.
	Die Lebensmittel sind zu heiß.	Lassen Sie die Lebensmittel vor der Aufbewahrung abkühlen.
	Zu viele Lebensmittel werden gleichzeitig aufbewahrt.	Bewahren Sie weniger Lebensmittel gleichzeitig auf.
	Die Frostschrift ist dicker als 4-5 mm.	Tauen Sie das Gerät ab.
	Die Tür wurde zu oft geöffnet.	Öffnen Sie die Tür nur bei Bedarf.
	Die Funktion Frostmatic ist eingeschaltet.	Siehe Abschnitt „Funktion Frostmatic“.
	Im Gerät herrscht keine Kaltluftzirkulation.	Stellen Sie sicher, dass kalte Luft im Gerät zirkuliert. Siehe Kapitel „Tipps und Hinweise“.
Die Temperatureinstellungs-LEDs blinken gleichzeitig.	Beim Messen der Temperatur ist ein Fehler aufgetreten.	Wenden Sie sich an das autorisierte Servicezentrum. Das Kühlsystem hält die Lebensmittel weiterhin kalt, aber eine Temperaturanpassung ist nicht möglich.



Wenn das Problem weiterhin besteht, wenden Sie sich an das autorisierte Servicezentrum.

## 7.2 Austauschen der Lampe

Wenden Sie sich an das autorisierte Servicezentrum, um die Lampe auszutauschen.

## 7.3 Schließen der Tür

1. Reinigen Sie die Türdichtungen.
2. Informationen zum Einstellen der Tür finden Sie in den Installationsanweisungen.
3. Um die defekten Türdichtungen auszutauschen, wenden Sie sich an das autorisierte Servicezentrum.

## 8. TECHNISCHE DATEN

Die technischen Daten befinden sich auf dem Typenschild innen im Gerät sowie auf der Energieplakette.

Spannung	230 - 240 V
Frequenz	50 Hz

## 9. INFORMATIONEN FÜR PRÜFINSTITUTE

Die Installation und die Vorbereitung des Geräts für eine eventuelle EcoDesign-Prüfung müssen mit EN 62552 (EU) übereinstimmen. Die Lüftungsanforderungen, die Abmessungen der Einbaunische und die Mindestabstände sind in dieser

Bedienungsanleitung unter „Montage“, beschrieben. Weitere Informationen erhalten Sie vom Hersteller, einschließlich der Beladungspläne.

## 10. GARANTIE

### Kundendienst

#### Servicestellen

Industriestrasse 10  
5506 Mägenwil

Le Trési 6  
1028 Préverenges

Via Violino 11  
6928 Manno

Morgenstrasse 131  
3018 Bern

Langgasse 10  
9008 St. Gallen

Am Mattenhof 4a/b  
6010 Kriens

Schlossstrasse 1  
4133 Pratteln

Comercialstrasse 19  
7000 Chur





**Ersatzteilverkauf** Industriestrasse 10, 5506 Mägenwil, Tel. 0848 848 111


**Fachberatung/Verkauf** Badenerstrasse 587, 8048 Zürich, Tel. 044 405 81 11

**Garantie** Für jedes Produkt gewähren wir ab Verkauf bzw. Lieferdatum an den Endverbraucher eine Garantie von 2 Jahren. (Ausweis durch Garantieschein, Faktura oder Verkaufsbeleg). Die Garantieleistung umfasst die Kosten für Material, Arbeits- und Reisezeit. Die Garantieleistung entfällt bei

Nichtbeachtung der Gebrauchsanweisung und Betriebsvorschriften, unsachgerechter Installation, sowie bei Beschädigung durch äussere Einflüsse, höhere Gewalt, Eingriffe Dritter und Verwendung von Nicht-Original Teilen.

## 11. UMWELTTIPPS

Recyceln Sie Materialien mit dem Symbol . Entsorgen Sie die Verpackung in den entsprechenden Recyclingbehältern. Recyceln Sie zum Umwelt- und Gesundheitsschutz elektrische und elektronische Geräte. Entsorgen Sie Geräte mit diesem Symbol  nicht mit dem Hausmüll. Bringen Sie das Gerät zu Ihrer örtlichen Sammelstelle oder wenden Sie sich an Ihr Gemeindeamt.

 **Für die Schweiz:**  
Wohin mit den Altgeräten?  
Überall dort wo neue Geräte verkauft werden oder Abgabe bei den offiziellen SENS-Sammelstellen oder offiziellen SENS-Recyclern.  
Die Liste der offiziellen SENS-Sammelstellen findet sich unter [www.erecycling.ch](http://www.erecycling.ch)

## Benvenuto in AEG! Grazie per aver scelto di acquistare questo prodotto.



Ricevere consigli, scaricare i nostri opuscoli, eliminare eventuali anomalie, ottenere informazioni sull'assistenza e la riparazione:  
[www.aeg.com/support](http://www.aeg.com/support)

Con riserva di modifiche.

## INDICE

1. INFORMAZIONI DI SICUREZZA.....	43
2. ISTRUZIONI DI SICUREZZA.....	45
3. PANNELLO DEI COMANDI.....	48
4. USO QUOTIDIANO.....	49
5. CONSIGLI E SUGGERIMENTI.....	50
6. CURA E PULIZIA.....	51
7. RISOLUZIONE DEI PROBLEMI.....	52
8. DATI TECNICI.....	55
9. INFORMAZIONI PER GLI ISTITUTI DI TEST.....	55
10. GARANZIA.....	55
11. CONSIDERAZIONI SULL'AMBIENTE.....	56

## 1. ⚠ INFORMAZIONI DI SICUREZZA

Leggere attentamente le istruzioni fornite prima di installare e utilizzare l'apparecchiatura. I produttori non sono responsabili di eventuali lesioni o danni derivanti da un'installazione o un uso scorretti. Conservare sempre le istruzioni in un luogo sicuro e accessibile per poterle consultare in futuro.

### 1.1 Sicurezza dei bambini e delle persone vulnerabili

- Quest'apparecchiatura può essere usata da bambini a partire da 8 anni di età e da adulti con capacità fisiche, sensoriali o mentali limitate o con scarsa esperienza e conoscenza sull'uso dell'apparecchiatura, solamente se sorvegliati o se istruiti relativamente all'utilizzo in sicurezza dell'apparecchiatura e se hanno compreso i rischi coinvolti. I bambini di età compresa tra i 3 e gli 8 anni e le persone con disabilità diffuse e complesse possono caricare e scaricare l'apparecchiatura a condizione che siano stati

istruiti adeguatamente. Tenere i bambini al di sotto dei 3 anni lontani dall'apparecchiatura, a meno che non vi sia una supervisione continua.

- Sorvegliare i bambini per assicurarsi che non giochino con l'apparecchiatura.
- I bambini non devono eseguire interventi di pulizia e manutenzione sull'elettrodomestico senza essere supervisionati.
- Tenere gli imballaggi lontano dai bambini e smaltirli in modo adeguato.

## **1.2 Avvertenze di sicurezza generali**

- Quest'apparecchiatura è destinata esclusivamente alla conservazione di alimenti e bevande.
- Quest'apparecchiatura è progettata per un uso domestico singolo in un ambiente interno.
- Quest'apparecchiatura può essere utilizzata in uffici, camere d'albergo, camere di bed & breakfast, alloggi in agriturismi e altre sistemazioni simili in cui tale utilizzo non superi i livelli di utilizzo domestico (medi).
- Per evitare la contaminazione degli alimenti rispettare le seguenti istruzioni:
  - non aprire la porta per lunghi periodi;
  - pulire regolarmente le superfici che possono venire a contatto con gli alimenti e i sistemi di drenaggio accessibili;
  - conservare la carne e il pesce crudo in contenitori adeguati in frigorifero, in modo che non venga a contatto con altri alimenti e non goccioli su altri alimenti.
- **AVVERTENZA:** Verificare che le aperture di ventilazione, sia sull'apparecchiatura che nella struttura da incasso, siano libere da ostruzioni.
- **AVVERTENZA:** Non usare dispositivi elettrici o altri mezzi artificiali non raccomandati dal produttore allo scopo di accelerare il processo di sbrinamento.
- **AVVERTENZA:** Non danneggiare il circuito refrigerante.

- **AVVERTENZA:** Non utilizzare apparecchiature elettriche all'interno dei compartimenti di conservazione degli alimenti, ad eccezione di quelli consigliati dal costruttore.
- Non nebulizzare acqua né utilizzare vapore per pulire l'apparecchiatura.
- Pulire l'apparecchiatura con un panno inumidito e morbido. Utilizzare solo detergenti neutri. Non usare prodotti abrasivi, spugnette abrasive, solventi od oggetti metallici.
- Quando l'apparecchiatura resta vuota per un lungo periodo di tempo, spegnerla, sbrinarla, pulirla, asciugarla e lasciare la porta aperta per evitare la formazione di muffa al suo interno.
- Non conservare in questa apparecchiatura sostanze esplosive come bombolette spray contenenti un propellente infiammabile.
- Se il cavo di alimentazione è danneggiato, deve essere sostituito dal produttore, da un tecnico autorizzato o da una persona qualificata per evitare situazioni di pericolo.

## 2. ISTRUZIONI DI SICUREZZA

### 2.1 Installazione

#### **AVVERTENZA!**

L'installazione dell'apparecchiatura deve essere eseguita da personale qualificato.

- Rimuovere tutti i materiali di imballaggio.
- Non installare o utilizzare l'apparecchiatura se è danneggiata.
- Non usare l'apparecchiatura prima di installarla nella struttura a incasso date le misure di sicurezza.
- Seguire le istruzioni separate per l'installazione dell'apparecchiatura e l'inversione degli sportelli disponibili sul nostro sito web.
- Prestare sempre attenzione in fase di spostamento dell'apparecchiatura, dato che è pesante. Usare sempre i guanti di sicurezza e le calzature adeguate.
- Assicurarsi che l'aria possa circolare liberamente attorno all'apparecchiatura.
- In fase di prima installazione o dopo aver girato la porta, attendere almeno 4 ore prima di collegare l'apparecchiatura alla sorgente di alimentazione. Questo serve a consentire all'olio di fluire nuovamente nel compressore.
- Prima di eseguire eventuali operazioni sull'apparecchiatura (ad esempio invertire la porta), togliere la spina dalla presa di corrente.
- Non installare l'apparecchiatura vicino a radiatori o fornelli, forni o piani cottura, se non diversamente specificato nelle istruzioni di installazione.
- Non esporre l'apparecchiatura alla pioggia.
- Non installare l'apparecchiatura dove sia esposta alla luce solare diretta.
- Non installare questa apparecchiatura in aree troppo umide o troppo fredde.
- Quando si sposta l'apparecchiatura, sollevarla dal bordo anteriore, così da non graffiare il pavimento.

- Proteggere il pavimento dai graffi quando si inverte lo sportello dell'apparecchiatura.

## 2.2 Collegamento elettrico

### **AVVERTENZA!**

Rischio di incendio e scossa elettrica.

### **AVVERTENZA!**

In fase di posizionamento dell'apparecchiatura, verificare che il cavo di alimentazione non sia intrappolato o danneggiato.

### **AVVERTENZA!**

Non utilizzare prese multiple e prolunghe.

- Verificare che i parametri sulla targhetta siano compatibili con le indicazioni elettriche dell'alimentazione.
- L'apparecchiatura deve disporre di una messa a terra.
- Utilizzare sempre una presa elettrica con contatto di protezione correttamente installata.
- Se la presa di alimentazione domestica non è collegata a terra, collegare l'apparecchiatura a una messa a terra separata in conformità alle normative vigenti, consultando un elettricista qualificato.
- Accertarsi di non danneggiare i componenti elettrici (ad es. la spina di alimentazione, il cavo di alimentazione, il compressore). Contattare il centro di assistenza tecnica autorizzato o un elettricista per sostituire i componenti elettrici.
- Il cavo di alimentazione deve rimanere sotto il livello della spina di alimentazione.
- Inserire la spina di alimentazione nella presa solo al termine dell'installazione. Verificare che la spina di alimentazione rimanga accessibile dopo l'installazione.
- Non tirare il cavo di alimentazione per scollegare l'apparecchiatura. Tirare sempre dalla spina.

## 2.3 Utilizzo

### **AVVERTENZA!**

Rischio di lesioni, scottature o scosse elettriche.



L'apparecchiatura contiene gas infiammabile, isobutano (R600a), un gas naturale con un alto livello di compatibilità ambientale. Fare attenzione a non danneggiare il circuito refrigerante che contiene isobutano.

- Non modificare le specifiche tecniche dell'apparecchiatura.
- È severamente vietato qualsiasi uso del prodotto a incasso come libera installazione.
- Questa apparecchiatura è destinata a un utilizzo a temperature ambiente comprese tra 10°C e 43°C. L'intervallo di temperature specificato garantisce il corretto funzionamento dell'apparecchiatura.
- Non introdurre apparecchiature elettriche (ad es. gelatiere) nell'apparecchiatura se non specificamente consentito dal produttore.
- Nel caso di danno al circuito refrigerante, assicurarsi che non si sviluppino fiamme libere e scintille nel locale. Aerare bene l'ambiente.
- Non appoggiare oggetti incandescenti sulle parti in plastica dell'apparecchiatura.
- Non introdurre bevande analcoliche nel vano congelatore. Si verrà a creare una pressione nel contenitore della bevanda.
- Non conservare gas e liquidi infiammabili nell'apparecchiatura.
- Non appoggiare o tenere liquidi o materiali infiammabili, né oggetti facilmente infiammabili sull'apparecchiatura, al suo interno o nelle immediate vicinanze.
- Non toccare il compressore o il condensatore. Sono incandescenti.
- Non togliere o toccare gli oggetti nel vano congelatore con le mani bagnate o umide.
- Non ricongelare del cibo precedentemente scongelato.
- Attenersi alle istruzioni per la conservazione riportate sulla confezione del cibo surgelato.

- Avvolgere gli alimenti con materiali per uso alimentare prima di metterli nello scomparto del congelatore.
- Evitare che gli alimenti vengano a contatto con le pareti interne degli scomparti dell'apparecchiatura.

## 2.4 Illuminazione interna

### **AVVERTENZA!**

Pericolo di scossa elettrica.

- Questo prodotto contiene una o più sorgenti luminose di classe di efficienza energetica G.
- Per quanto riguarda la lampada o le lampade all'interno di questo prodotto e le lampade di ricambio vendute separatamente: Queste lampade sono destinate a resistere a condizioni fisiche estreme negli elettrodomestici, come temperatura, vibrazioni, umidità, o sono destinate a segnalare informazioni sullo stato operativo dell'apparecchio. Non sono destinate ad essere utilizzate in altre applicazioni e non sono adatte per l'illuminazione di ambienti domestici.

## 2.5 Cura e pulizia

### **AVVERTENZA!**

Rischio di lesioni o danni all'apparecchiatura.

- Prima di eseguire qualunque intervento di manutenzione, spegnere l'apparecchiatura ed estrarre la spina dalla presa.
- L'unità refrigerante di questa apparecchiatura contiene idrocarburi. L'unità deve essere ricaricata ed ispezionata esclusivamente da personale qualificato.
- Controllare regolarmente lo scarico dell'apparecchiatura e, se necessario, pulirlo. L'ostruzione dello scarico può causare un deposito di acqua di sbrinamento sul fondo dell'apparecchiatura.

## 2.6 Assistenza tecnica

- Per far riparare l'apparecchiatura, rivolgersi a un Centro di Assistenza

Autorizzato. Utilizzare solo ricambi originali.

- Tenere presente che la riparazione autonoma o non professionale possono avere conseguenze sulla sicurezza e potrebbero invalidare la garanzia.
- I pezzi di ricambio seguenti sono disponibili per almeno 7 anni dopo la cessazione della produzione del modello: termostati, sensori di temperatura, circuiti stampati, sorgenti luminose, maniglie delle porte, cerniere delle porte, vassoi e cestelli. Le guarnizioni per porte sono disponibili per almeno 10 anni dopo la cessazione della produzione del modello. La durata potrebbe essere più lunga nel tuo Paese. Per ulteriori informazioni visita il nostro sito web.
- Si prega di notare che alcuni di questi pezzi di ricambio sono disponibili solo per i riparatori professionisti e che non tutti i pezzi di ricambio sono rilevanti per tutti i modelli.

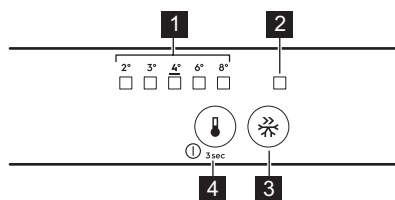
## 2.7 Smaltimento

### **AVVERTENZA!**

Rischio di lesioni o soffocamento.

- Staccare la spina dall'alimentazione elettrica.
- Tagliare il cavo di rete e smaltirlo.
- Rimuovere la porta per evitare che bambini e animali domestici rimangano chiusi all'interno dell'apparecchiatura.
- Il circuito refrigerante e i materiali di isolamento di questa apparecchiatura rispettano l'ozono.
- La schiuma isolante contiene gas infiammabili. Contattare le autorità locali per ricevere informazioni su come smaltire correttamente l'apparecchiatura.
- Non danneggiare i componenti dell'unità refrigerante che si trovano vicino allo scambiatore di calore.

## 3. PANNELLO DEI COMANDI



- 1** Indicatore LED della temperatura
- 2** Frostmatic indicatore
- 3** Tasto Frostmatic
- 4** Regolatore della temperatura Pulsante ON/OFF

### 3.1 Accensione/Spengimento

#### Accensione

1. Inserire la spina nella presa a muro.
2. Premere il tasto regolatore della temperatura se tutti i LED sono spenti.

#### Spengimento

Continuare a premere il pulsante di regolazione della temperatura per 3 sec. Tutte le spie si spengono.

### 3.2 Regolazione della temperatura

Premere il regolatore della temperatura. La spia della temperatura LED attuale lampeggia. Quando si preme il pulsante regolatore della temperatura, l'impostazione cambia di una posizione. Ripetere la procedura finché l'apparecchiatura non raggiunge la temperatura desiderata.

L'intervallo di temperatura può variare tra 2°C e 8°C (consigliato 4°C).



La temperatura impostata verrà raggiunta entro 24 h. Dopo un'interruzione di corrente la temperatura impostata rimane memorizzata.

### 3.3 Funzione Frostmatic

La funzione Frostmatic viene utilizzata per eseguire il pre-congelamento e il congelamento rapido in sequenza del vano congelatore. Questa funzione accelera il congelamento di alimenti freschi e protegge i prodotti già riposti evitando che si scaldino.



Per congelare alimenti freschi, attivare la funzione Frostmatic almeno 24 h prima di introdurla nel vano congelatore.

Per attivare la funzione Frostmatic premere il pulsante Frostmatic. La spia Frostmatic si accende.



Questa funzione si interrompe in modo automatico dopo 52 h.

Per disattivare la funzione, premere di nuovo il tasto Frostmatic. La spia Frostmatic si spegne.

### 3.4 Allarme di porta aperta

Se la porta del frigorifero viene lasciata aperta per circa 5 minuti, si avvia l'allarme acustico.

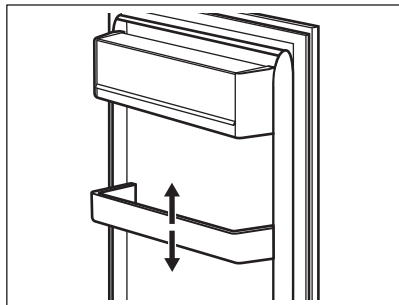
Durante l'allarme, il segnale acustico può essere disattivato premendo qualsiasi pulsante. Il suono si spegne automaticamente dopo circa un'ora per evitare di disturbare.

L'allarme si disattiva dopo la chiusura della porta.

## 4. USO QUOTIDIANO

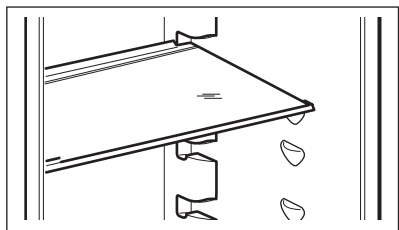
### 4.1 Posizionamento dei ripiani della porta

Per una conservazione più facile degli alimenti i ripiani della porta possono essere posizionati a diverse altezze. Sollevare il ripiano per riposizionarlo.



### 4.2 Ripiani mobili

Le pareti del frigorifero sono dotate di guide. È possibile modificare la posizione dei ripiani.



Per garantire una corretta circolazione dell'aria, non spostare il ripiano di vetro posto sopra il cassetto delle verdure.

### 4.3 Cassetto per verdura

Nella parte inferiore dell'apparecchiatura è presente un cassetto speciale adatto alla conservazione di frutta e verdura.

### 4.4 Congelamento di alimenti freschi

Usare lo scomparto congelatore per il congelamento degli alimenti freschi e per la conservazione di alimenti congelati e surgelati a lungo.

Attivare la funzione Frostmatic almeno 24 h prima di inserire gli alimenti da congelare nello scomparto congelatore.

Conservare gli alimenti freschi distribuiti uniformemente in tutti gli scomparti o cassette.

Non superare la quantità massima di alimenti che possono essere congelati senza aggiungere altri alimenti freschi 24 h (fare riferimento alla targhetta identificativa).

Al termine del processo di congelamento, l'apparecchiatura ritorna automaticamente all'impostazione della temperatura precedente (vedere la "funzione Frostmatic").



La temperatura all'interno del frigorifero può variare.

Per ulteriori informazioni, fare riferimento a "Consigli per il congelamento".

### 4.5 Conservazione di cibi congelati

Quando si attiva l'apparecchiatura per la prima volta o dopo un periodo di inutilizzo, attivare la funzione Frostmatic almeno 3 h prima di mettere i prodotti nello scomparto di congelamento.



#### ATTENZIONE!

Se l'alimentazione è rimasta spenta più a lungo del valore indicato sulla targhetta identificativa come "tempo di risalita", gli alimenti scongelati devono essere consumati immediatamente.

## 5. CONSIGLI E SUGGERIMENTI


### 5.1 Consigli per il risparmio energetico

- Frigorifero: La configurazione con i cassetti nella parte inferiore dell'apparecchiatura e i ripiani distribuiti uniformemente garantisce l'uso più efficiente dell'energia. La posizione degli scomparti sulla porta non influisce sul consumo energetico.
- Non aprire frequentemente la porta e limitare il più possibile i tempi di apertura.
- Congelatore: Più fredda è l'impostazione della temperatura, maggiore è il consumo di energia.
- Frigorifero: Non impostare una temperatura troppo alta, a meno che non sia richiesta dalle caratteristiche dell'alimento.
- Se la temperatura ambiente è elevata, il controllo della temperatura è impostato su un valore basso e l'apparecchiatura è a pieno carico, il compressore può funzionare in maniera ininterrotta, causando la formazione di brina o di ghiaccio sull'evaporatore. In questo caso impostare il controllo della temperatura su una posizione più elevata per consentire lo sbrinamento automatico.
- Non coprire le griglie o i fori di ventilazione.

### 5.2 Consigli per il congelamento

- Non congelare bottiglie o lattine con liquidi, in particolare bevande contenenti anidride carbonica. Possono esplodere durante il congelamento.
- Non mettere cibi caldi nel congelatore.
- Non collocare alimenti freschi non congelati direttamente accanto a quelli già congelati.
- Non mangiare i cubetti di ghiaccio, i ghiaccioli o le granite subito dopo averli tolti dal congelatore.
- Non congelare nuovamente il cibo scongelato.

### 5.3 Consigli per la conservazione di cibi congelati


- Lo scomparto congelatore è quello contrassegnato con .
- Una buona impostazione della temperatura che garantisce la conservazione degli alimenti congelati è una temperatura inferiore o uguale a -18 °C.
- L'impostazione di una temperatura più elevata all'interno dell'apparecchiatura può portare a una minore durata di conservazione.
- L'intero scomparto del congelatore è adatto alla conservazione di prodotti alimentari surgelati.
- Lasciare abbastanza spazio intorno al cibo per permettere all'aria di circolare liberamente.

### 5.4 Periodo di conservazione per scomparto congelatore

Tipo di cibo	Periodo di conservazione (mesi)
Pane	3
Frutta (a eccezione degli agrumi)	6 - 12
Verdure	8 - 10
Avanzi senza carne	1 - 2
<b>Latticini:</b>	
Burro	6 - 9
Formaggio a pasta molle (ad es. mozzarella)	3 - 4
Formaggio a pasta dura (ad es. parmigiano, cheddar)	6
<b>Frutti di mare:</b>	
Pesci grassi (ad es. salmone, sgombro)	2 - 3
Pesci magri (ad es. merluzzo, platesa)	4 - 6
Gamberetti	12
Vongole e cozze sgusciate	3 - 4
Pesce cotto	1 - 2

Tipo di cibo	Periodo di conservazione (mesi)
<b>Carne:</b>	
Pollame	9 - 12
Manzo	6 - 12
Maiale	4 - 6
Agnello	6 - 9
Salsiccia	1 - 2
Prosciutto	1 - 2
Avanzi con carne	2 - 3

## 5.5 Consigli per la refrigerazione dei cibi

- Il comparto alimenti freschi è contrassegnato con .
- Una buona impostazione della temperatura che garantisce la conservazione degli alimenti freschi è una temperatura inferiore o uguale a +4°C.

- Utilizzare sempre contenitori chiusi per liquidi e per alimenti, per evitare sapori o odori nello scomparto.
- Per evitare la contaminazione incrociata tra cibo cotto e crudo, coprire il cibo cotto e separarlo da quello crudo.
- Avvolgere la carne e posizionarla sul ripiano di vetro sopra il cassetto delle verdure.
- Sbrinare gli alimenti all'interno del frigorifero.
- Non inserire cibo caldo all'interno dell'apparecchiatura.
- Pulire frutta e verdura e collocarle in un cassetto apposito (cassetto verdura).
- Non conservare la frutta esotica nel frigorifero.
- Non conservare le verdure come pomodori, patate, cipolle e aglio nel frigorifero.
- Chiudere le bottiglie prima di metterle nel frigorifero.

## 6. CURA E PULIZIA

### AVVERTENZA!

Fare riferimento ai capitoli sulla sicurezza.

### 6.1 Pulizia dell'interno

Prima di utilizzarlo per la prima volta, pulire l'interno e tutti gli accessori con acqua tiepida e sapone neutro, quindi asciugare.

### ATTENZIONE!

Gli accessori e le parti dell'elettrodomestico non sono adatti per essere lavati in lavastoviglie.

### 6.2 Pulizia periodica

Pulire regolarmente l'apparecchiatura:

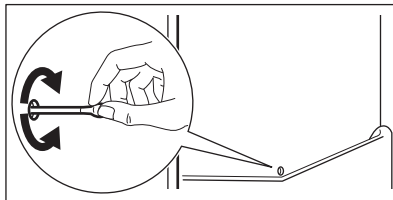
- Pulire l'interno e gli accessori con acqua tiepida e sapone neutro. Sciacquarli e asciugarli.
- Pulire regolarmente le guarnizioni della porta.

### 6.3 Scongelamento del frigorifero

Durante il normale utilizzo la brina viene eliminata automaticamente dall'evaporatore dello scomparto frigorifero. L'acqua di sbrinamento viene scaricata attraverso una canalina in un contenitore speciale dove evapora.

Pulire regolarmente il foro di scarico dell'acqua di sbrinamento al centro del canale dello scomparto frigorifero.

Utilizzare il pulisci-tubo in dotazione con l'apparecchiatura.



## 6.4 Scongelo del congelatore

### **ATTENZIONE!**

Non usare mai utensili metallici appuntiti per rimuovere la brina dall'evaporatore. Usare esclusivamente gli accessori consigliati dal produttore per accelerare lo scongelamento.



Impostare una temperatura inferiore di circa 12 h prima dello scongelamento.

È normale che si formi uno strato sottile di brina sui ripiani del congelatore e intorno allo scomparto superiore. Sbrinare il congelatore, quando lo strato di brina raggiunge uno spessore di circa 3-5 mm.

1. Spegnere e scollegare l'apparecchiatura.
2. Rimuovere gli alimenti conservati.
3. Lasciare aperta la porta e proteggere il pavimento dall'acqua.
4. Collocare una ciotola di acqua calda nel vano congelatore per accelerare lo scongelamento.

5. Asciugare il vano interno dopo lo scongelamento.
6. Accendere l'apparecchiatura. Chiudere la porta.
7. Impostare la temperatura più bassa per almeno 3 h prima di rimettere gli alimenti nello scomparto congelatore.

## 6.5 Periodi di non utilizzo

Se l'apparecchiatura non viene utilizzata per un lungo periodo, adottare le seguenti precauzioni:

1. Scollegare l'apparecchiatura dalla rete elettrica.
2. Rimuovere tutto il cibo.
3. Sbrinare l'apparecchiatura.
4. Pulire l'apparecchiatura e tutti gli accessori.
5. Lasciare le porte aperte per evitare la formazione di odori sgradevoli.

## 7. RISOLUZIONE DEI PROBLEMI

### **AVVERTENZA!**

Fare riferimento ai capitoli sulla sicurezza.

### 7.1 Cosa fare se...

Problema	Causa possibile	Soluzione
L'apparecchiatura non funziona.	L'apparecchiatura è spenta.	Accendere l'apparecchiatura.
	La spina non è collegata correttamente alla presa elettrica.	Collegare correttamente la spina alla presa elettrica.
	La presa elettrica non ha tensione.	Collegare un'apparecchiatura elettrica diversa alla presa di alimentazione. Contattare un elettricista qualificato.
L'apparecchiatura è rumorosa.	L'apparecchiatura non è supportata correttamente.	Controllare che l'apparecchiatura abbia una posizione stabile.
L'allarme acustico o visivo è attivo.	La porta è stata lasciata aperta.	Chiudere la porta.

<b>Problema</b>	<b>Causa possibile</b>	<b>Soluzione</b>
Il compressore funziona in modo continuo.	La temperatura non è impostata correttamente.	Vedere il capitolo "Pannello dei comandi".
	Troppo cibo viene inserito contemporaneamente.	Attendere alcune ore e ricontrrollare la temperatura.
	La temperatura ambiente è troppo alta.	Vedere il capitolo "Installazione".
	Gli alimenti introdotti nell'apparecchiatura sono troppo caldi.	Prima di introdurre gli alimenti, lasciarli raffreddare a temperatura ambiente.
	La porta non è chiusa correttamente.	Vedere la sezione "Chiusura della porta".
	La funzione Frostmatic è attiva.	Vedere la sezione "Funzione Frostmatic".
Il compressore non si avvia immediatamente dopo avere premuto il tasto "Frostmatic", oppure dopo avere modificato la temperatura.	Il compressore si avvia dopo un certo periodo di tempo.	È normale, non si tratta di un'anomalia di funzionamento.
La porta non è allineata o interferisce con la griglia di ventilazione.	L'apparecchiatura non è perfettamente in piano.	Fare riferimento alle istruzioni di installazione.
La porta non si apre facilmente.	Si è cercato di riaprire la porta subito dopo averla chiusa.	Attendere alcuni secondi fra la chiusura della porta e la sua riapertura.
La lampadina non funziona.	La lampadina è in modalità stand-by.	Chiudere e aprire la porta.
	La lampadina è difettosa.	Contattare il Centro Assistenza Autorizzato.
C'è una quantità eccessiva di brina e ghiaccio.	La porta non è chiusa correttamente.	Vedere la sezione "Chiusura della porta".
	La guarnizione è deformata o sporca.	Vedere la sezione "Chiusura della porta".
	Il cibo non è avvolto correttamente.	Avvolgere correttamente il cibo.
	La temperatura non è impostata correttamente.	Vedere il capitolo "Pannello dei comandi".
	L'apparecchiatura è completamente carica ed è impostata sulla temperatura più bassa.	Impostare una temperatura superiore. Vedere il capitolo "Pannello dei comandi".
	La temperatura impostata nell'apparecchiatura è troppo bassa e la temperatura ambiente è troppo alta.	Impostare una temperatura superiore. Vedere il capitolo "Pannello dei comandi".
Sulla piastra posteriore del frigorifero scorre l'acqua.	Durante lo sbrinamento automatico, la brina si scioglie sul pannello posteriore.	Ciò è corretto.
Si è condensata troppa acqua all'interno del frigorifero.	La porta è stata aperta con eccessiva frequenza.	Aprire la porta solo se necessario.

<b>Problema</b>	<b>Causa possibile</b>	<b>Soluzione</b>
	La porta non è stata chiusa completamente.	Controllare che la porta sia chiusa completamente.
	Il cibo conservato non è stato avvolto nell'apposito materiale.	Avvolgere gli alimenti in un imballaggio adeguato prima di riporli all'interno dell'apparecchiatura.
	È normale che durante l'estate e l'autunno si possa formare una quantità maggiore di condensa a causa dell'aumento dell'umidità dell'aria e degli alimenti. Il frigorifero non produce umidità. Dopo questo periodo l'umidità nel frigorifero diminuisce da sola.	In estate e in autunno impostare la temperatura più calda nel frigorifero (circa 6-7 °C).
Ci sono gocce d'acqua sui ripiani in vetro.	C'è troppa umidità all'interno del frigorifero.	Pulire i ripiani in vetro con un panno per rimuovere le gocce d'acqua.
L'acqua scorre all'interno del frigorifero.	Gli alimenti impediscono all'acqua di scorrere nell'apposito collettore.	Assicurarsi che gli alimenti non tocchino il pannello posteriore.
	Lo scarico dell'acqua è ostruito.	Pulire lo scarico dell'acqua.
L'acqua scorre sul pavimento.	Lo scarico dell'acqua di sbrinamento non è collegato alla vaschetta di evaporazione posta al di sopra del compressore.	Collegare lo scarico dell'acqua di sbrinamento alla vaschetta di evaporazione.
Non è possibile impostare la temperatura.	Viene attivata la funzione Frostmatic.	Disattivare manualmente la funzione Frostmatic oppure aspettare finché la funzione si disattiva automaticamente. Vedere la sezione "funzione Frostmatic".
La temperatura all'interno dell'apparecchiatura è troppo bassa/troppo alta.	La temperatura non è impostata correttamente.	Impostare una temperatura superiore/inferiore.
	La porta non è chiusa correttamente.	Fare riferimento alla sezione "Chiusura della porta".
	Il cibo è troppo caldo.	Lasciare raffreddare il cibo prima di riporlo.
	Troppo cibo viene conservato contemporaneamente.	Conservare meno alimenti contemporaneamente.
	Lo spessore della brina è maggiore di 4-5 mm.	Sbrinare l'apparecchiatura.
	La porta viene aperta frequentemente.	Aprire la porta solo se necessario.
	La funzione Frostmatic è attiva.	Vedere la sezione "funzione Frostmatic".
	Nell'apparecchiatura non circola l'aria fredda.	Verificare la circolazione dell'aria fredda nell'apparecchiatura. Vedere il capitolo "Consigli e suggerimenti".

Problema	Causa possibile	Soluzione
I LED relativi alle impostazioni della temperatura lampeggiano temporaneamente.	Si è verificato un errore durante la misurazione della temperatura.	Contattare il Centro Assistenza Autorizzato. Il sistema di raffreddamento continuerà a mantenere gli alimenti freddi, ma non sarà possibile regolare la temperatura.



Nel caso in cui il problema persista, contattare il Centro di Assistenza Autorizzato.

## 7.2 Sostituzione della lampadina

Per sostituire la lampada, contattare il Centro di Assistenza Autorizzato.

## 7.3 Chiusura della porta

1. Pulire le guarnizioni della porta.
2. Per regolare la porta, fare riferimento alle istruzioni di installazione.
3. Per sostituire le guarnizioni difettose della porta, contattare il Centro di Assistenza Autorizzato.

## 8. DATI TECNICI

I dati tecnici sono riportati sulla targhetta dei dati applicata sul lato esterno dell'apparecchiatura e sull'etichetta dei valori energetici.

Tensione	230 – 240 V
----------	-------------

Frequenza	50 Hz
-----------	-------

## 9. INFORMAZIONI PER GLI ISTITUTI DI TEST

L'installazione e la preparazione dell'apparecchiatura per qualsiasi verifica di EcoDesign devono essere conformi a EN 62552 (EU). I requisiti di ventilazione, le dimensioni dell'incavo e le distanze minime dalla parte posteriore devono essere

conformi a quanto indicato nel presente manuale d'uso sotto "Installazione". Si prega di contattare il produttore per qualsiasi altra informazione, compresi i piani di carico.

## 10. GARANZIA

### Servizio clienti

#### Servizio dopo vendita

Industriestrasse 10  
5506 Mägenwil

Le Trési 6  
1028 Prévèrenge

Via Violino 11  
6928 Manno

## Servizio dopo vendita

Morgenstrasse 131  
3018 Bern

Langgasse 10  
9008 St. Gallen

Am Mattenhof 4a/b  
6010 Kriens

Schlossstrasse 1  
4133 Pratteln

Comercialstrasse 19  
7000 Chur





**Vendita pezzi di ricambio** Industriestrasse 10, 5506 Mägenwil, Tel. 0848 848 111

**Consulenza specialistica/Vendita** Badenerstrasse 587, 8048 Zürich, Tel. 044 405 81 11

**Garanzia** Per ogni prodotto concediamo una garanzia di 2 anni a partire dalla data di consegna o dalla sua messa in funzione. (fa stato la data della fattura, del certificato di

garanzia o dello scontrino d'acquisto) Nella garanzia sono comprese le spese di manodopera, di viaggio e del materiale. Dalla copertura sono esclusi il logoramento ed i danni causati da agenti esterni, intervento di terzi, utilizzo di ricambi non originali o dalla inosservanza delle prescrizioni d'installazione ed istruzioni per l'uso.

## 11. CONSIDERAZIONI SULL'AMBIENTE

Riciclare i materiali con il simbolo . Buttare l'imballaggio negli appositi contenitori per il riciclaggio. Aiutare a proteggere l'ambiente e la salute umana e a riciclare rifiuti derivanti da apparecchiature elettriche ed elettroniche. Non smaltire le apparecchiature che riportano il simbolo  insieme ai normali rifiuti domestici. Portare il prodotto al punto di riciclaggio più vicino o contattare il comune di residenza.



### Per la Svizzera:

Dove portare gli apparecchi fuori uso? In qualsiasi negozio che vende apparecchi nuovi oppure si restituiscono ai centri di raccolta ufficiali della SENS oppure ai riciclatori ufficiali della SENS. La lista dei centri di raccolta ufficiali della SENS è visibile nel sito [www.erecycling.ch](http://www.erecycling.ch)







**aeg.com**

211630058-A-262024



**CE**